

DUCTILE IRON FITTINGS AND ACCESSORIES FOR PRESSURE PIPELINES

■ DUCTILE IRON FITTINGS

Elbow of 90° (1/4) _____	CA01
Elbow of 90° with socket _____	CA01
Elbow of 45° (1/8) _____	CA02
Elbow of 22°30' (1/16) _____	CA02
Elbow of 11°15' (1/32) _____	CA03
Setting "s" _____	CA03
Spool 250 mm. _____	CA04
Spool 500 mm. _____	CA04
Flange spigot _____	CA05
Cone _____	CA06
Tee _____	CA07
Cross _____	CA09
Blanking flange _____	CA09
Blanking flange threaded _____	CA10

■ COUPLINGS AND FLANGE ADAPTORS

Couplings _____	CA11
Large diameter couplings _____	CA12
Stepped couplings _____	CA13
Large diameter stepped couplings _____	CA14
Flange adaptors _____	CA15
Large diameter flange adaptors _____	CA16

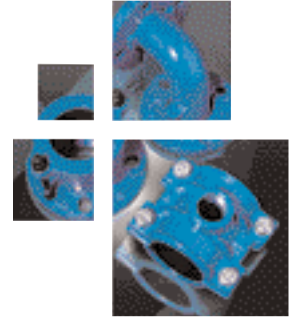
■ STUDDED REDUCER FLANGE

Studded reducer flange _____	CA17
------------------------------	------

■ DISMANTLING JOINTS

Dismantling joints _____	CA18
--------------------------	------





■ **FLANGE ADAPTOR FOR PVC-PE PIPELINES**

Flange with blocking _____ CA19

■ **REPAIR CLAMPS**

Repair clamp width 80 mm. _____ CA20

Single band clamp with lock _____ CA21

Double band clamp with two locks _____ CA22

■ **GASKETS FOR FLANGES**

Standard type _____ CA23

Reinforced gasket _____ CA23

■ **DIMENSIONS OF FLANGES**

According to ISO 2531 _____ CA24

■ **TAPPING SADDLES**

Drilling machine _____ CA25

Underpressure tapping saddle _____ CA26

Headstock for stainless steel band _____ CA26

For cast iron pipelines with flange _____ CA27

For PVC/PE pipelines with flange _____ CA28

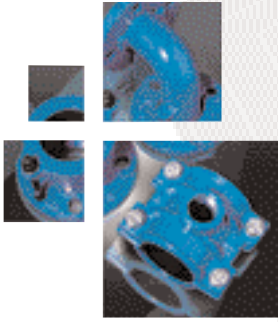
Tapping saddles for PVC and PE pipes _____ CA29

■ **BANDS OF STAINLESS STEEL**

Stainless steel bands series 40 _____ CA33

Stainless steel bands series 60 _____ CA34





In 1983, Pradinsa began its activity with a strong will to offer solutions to certain specific water distribution problems.

A constant research for potable and sanitary water installation, incorporating new features in our day-to-day activities, collaborating with Public Institutions, Companies and Professionals, providing personalized solutions, and which has made us become leaders in our speciality.

All these have been possible thanks to the trust of our Clients and Collaborators in us, making it possible for us to be placed on the major international markets.

PRADINSA ...The will to do better.

HUMAN RESOURCES,
SERVICE SKILL AND TECHNOLOGY.

These three pillars are the foundation of a qualified, young and dynamic team.

We invite you to get to know us better...



C/ CARLOS BUIGAS NA

Bureau Veritas cert
susmentionnée a été

DUCTION
TAL





BUREAU VERITAS
Certification

Certification

attribuée à
GRUPO PRADINSA
PRADINSA, S.A.
PRADINSA, S.L.
BARCELONA

AVE 3-K, POL. IND. CAN CASTELLS, 08420, CANOVELLES,

certifie que le système de management de l'entreprise
a été évalué et jugé conforme aux exigences de la norme :

ISO 9001:2000

Domaine d'activité

INDUSTRIE DE FABRICATION ET COMMERCIALISATION
DE Bouteilles EN PLASTIQUE POUR LES
DISTRIBUTIONS D'EAU POTABLE

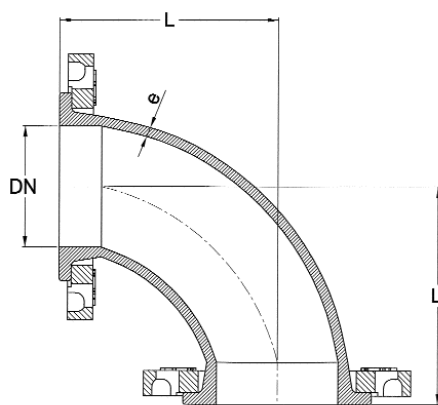
le 15 décembre 2000

Management



DUCTILE IRON FITTINGS

ELBOW of 90° (1/4)



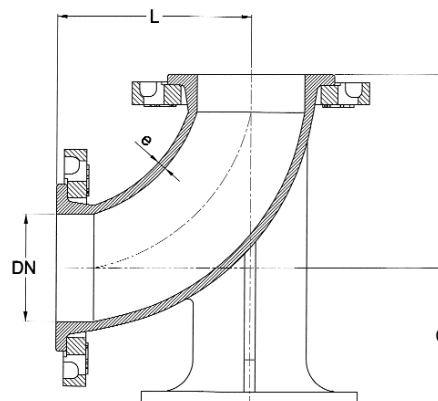
CODE		DN	L	e	WEIGHT (kg.)
PN 10	PN 16				
AD90050		50	150	7	7,0
AD90063		60/65	160	7	8,6
AD90080		80	165	7	9,8
AD90100		100	180	7,2	12,4
AD90125		125	200	7,5	16,4
AD90150		150	220	7,8	22,8
AD90201		200	260	8,4	34,2
AD90250	AD90256	250	350	9	58,6
AD90300	AD90306	300	400	9,6	81,7
AD90350	AD90356	350	450	10,2	109,0
AD90400	AD90406	400	500	10,8	134,0
AD90450	AD90456	450	550	11,4	166,0
AD90500	AD90506	500	600	12	220,0

dimensions in mm

■ **Technical characteristics:**

- Loose flanges
- According to EN 545 standard
- Ductile iron GGG-40
- Epoxy coating. RAL 5015.

ELBOW of 90° with SOCKET



CODE		DN	L	e	C	WEIGHT (kg.)
PN 10	PN 16					
AD99080		80	165	7	110	14,6
AD99100		100	180	7,2	125	17,4

dimensions in mm

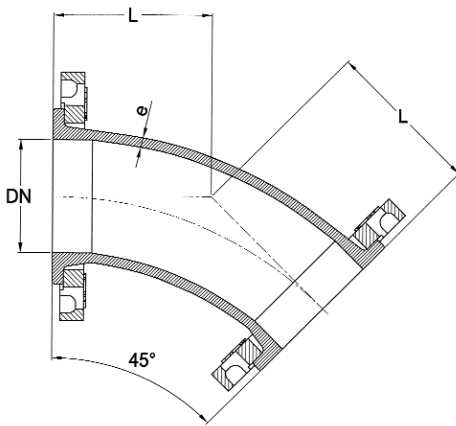
■ **Technical characteristics:**

- Loose flanges
- According to EN 545 standard
- Ductile iron GGG-40
- Epoxy coating. RAL 5015.



DUCTILE IRON FITTINGS

ELBOW of 45° (1/8)



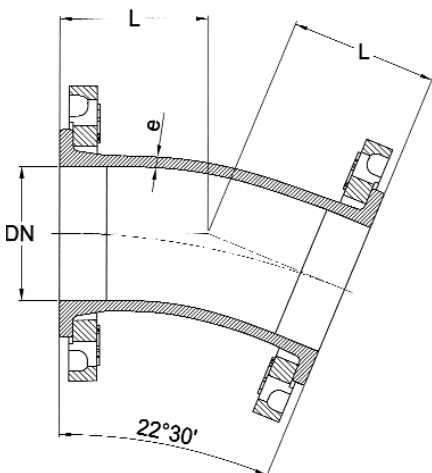
CODE		DN	L	e	WEIGHT (kg.)
PN 10	PN 16				
AD45050		50	150	7	7,6
AD45063		60/65	160	7	8,7
AD45080		80	130	7	10,4
AD45100		100	140	7,2	12,0
AD45125		125	150	7,5	15,3
AD45150		150	160	7,8	22,6
AD45201		200	180	8,4	28,8
AD45250	AD45256	250	245	9	55,5
AD45300	AD45306	300	275	9,6	78,5
AD45350	AD45356	350	300	10,2	93,7
AD45400	AD45406	400	325	10,8	114,0
AD45450	AD45456	450	350	11,4	159,0
AD45500	AD45506	500	375	12	188,0

dimensions in mm

■ Technical characteristics:

- Loose flanges
- According to EN 545 standard
- Ductile iron GGG-40
- Epoxy coating. RAL 5015.

ELBOW of 22°30' (1/16)



CODE		DN	L	e	WEIGHT (kg.)
PN 10	PN 16				
AD22050		50	104	7	5,5
AD22063		60/65	114	7	8,1
AD22080		80	105	7	9,3
AD22100		100	110	7,2	10,8
AD22125		125	105	7,5	14,2
AD22150		150	109	7,8	18,5
AD22201		200	131	8,4	26,3
AD22250	AD22256	250	190	9	44,5
AD22300	AD22306	300	210	9,6	67,0
AD22350	AD22356	350	210	10,2	85,0
AD22400	AD22406	400	239	10,8	100,50
AD22450	AD22456	450	253	11,4	140,0
AD22500	AD22506	500	272	12	161,00

dimensions in mm

■ Technical characteristics:

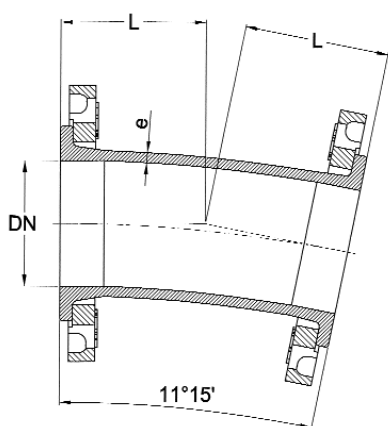
- Loose flanges
- According to EN 545 standard
- Ductile iron GGG-40
- Epoxy coating. RAL 5015.





DUCTILE IRON FITTINGS

ELBOW of 11°15' (1/32)



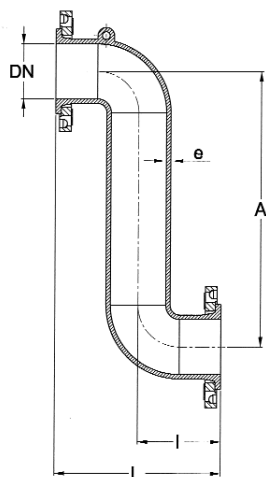
CODE		DN	L	e	WEIGHT (kg.)
PN 10	PN 16				
AD11050		50	109	7	6,8
AD11063		60/65	119	7	8,4
AD11080		80	113	7	9,8
AD11100		100	115	7,2	11,2
AD11125		125	111	7,5	14,3
AD11150		150	113	7,8	18,6
AD11201		200	132	8,4	26,0
AD11250	AD11256	250	165	9	43,5
AD11300	AD11306	300	175	9,6	58,0
AD11350	AD11356	350	191	10,2	75,0
AD11400	AD11406	400	205	10,8	90,0
AD11450	AD11456	450	159	11,4	110,0
AD11500	AD11506	500	167	12	135,0

dimensions in mm

■ Technical characteristics:

- Loose flanges
- According to EN 545 standard
- Ductile iron GGG-40
- Epoxy coating. RAL 5015.

SETTING "S"



CODE		DN	A	I	L	e	WEIGHT (kg.)
PN 10	PN 16						
AD98080		80	500	165	330	8,5	15,0
AD98100		100	500	180	360	8,5	21,6

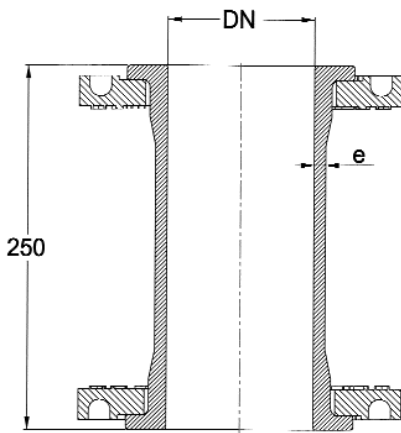
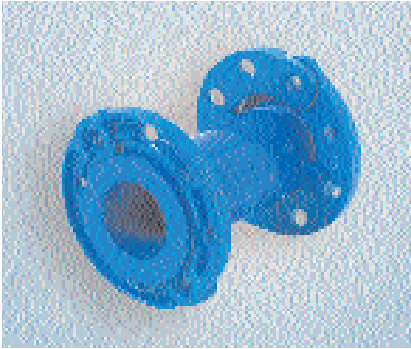
dimensions in mm

■ Technical characteristics:

- Loose flanges
- According to EN 545 standard
- Ductile iron GGG-40
- Epoxy coating. RAL 5015.

DUCTILE IRON FITTINGS

SPOOL 250 mm.



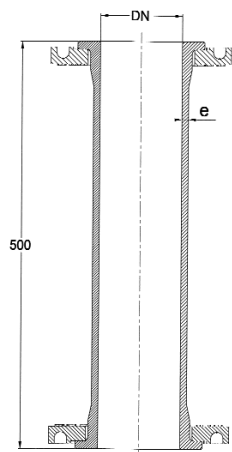
CODE		DN	e	WEIGHT (kg.)
PN 10	PN 16			
AD70050		50	7	7
AD70063		60/65	7	7,6
AD70080		80	7	9,2
AD70100		100	7,2	11,0
AD70125		125	7,5	14,9
AD70150		150	7,8	18,5
AD70201		200	8,4	25,4
AD70250	AD70256	250	9	36,0
AD70300	AD70306	300	9,6	48,0
AD70350	AD70356	350	10,2	71,0
AD70400	AD70406	400	10,8	94,0
AD70450	AD70456	450	11,4	95,0
AD70500	AD70506	500	12	132,0

dimensions in mm

■ Technical characteristics:

- Loose flanges
- According to EN 545 standard
- Ductile iron GGG-40
- Epoxy coating. RAL 5015.

SPOOL 500 mm.



CODE		DN	e	WEIGHT (kg.)
PN 10	PN 16			
AD75050		50	7	10,2
AD75063		60/65	7	10,8
AD75080		80	7	12,6
AD75100		100	7,2	15,8
AD75125		125	7,5	22,5
AD75150		150	7,8	26,0
AD75201		200	8,4	35,0
AD75250	AD75256	250	9	50,0
AD75300	AD75306	300	9,6	69,0
AD75350	AD75356	350	10,2	85,0
AD75400	AD75406	400	10,8	105,0
AD75450	AD75456	450	11,4	140,0
AD75500	AD75506	500	12	165,0

dimensions in mm

■ Technical characteristics:

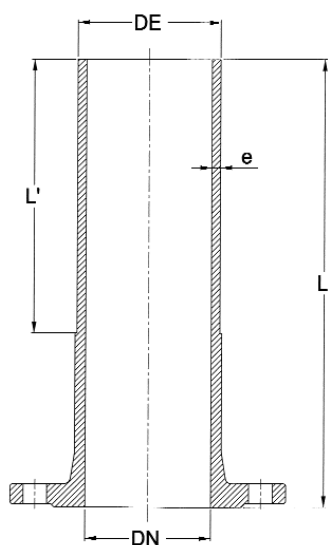
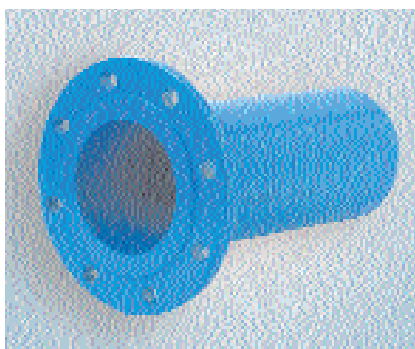
- Loose flanges
- According to EN 545 standard
- Ductile iron GGG-40
- Epoxy coating. RAL 5015.





DUCTILE IRON FITTINGS

FLANGED SPIGOT



CODE		DN	DE	L	L'	e	WEIGHT (kg.)
PN 10	PN 16						
AD43050		50	66	340	200	7	6
AD43060		60	77	345	200	7	6,8
AD43080		80	98	350	215	7	7,1
AD43100		100	118	360	215	7,2	9,3
AD43125		125	144	370	220	7,5	12,1
AD43150		150	170	380	225	7,8	15,3
AD43200	AD43206	200	222	400	230	8,4	23,2
AD43250	AD43256	250	274	420	240	9	33
AD43300	AD43306	300	326	440	250	9,6	42
AD43350	AD43356	350	373	460	260	10,2	56
AD43400	AD43406	400	429	480	270	10,8	76,3
AD43450	AD43456	450	480	500	280	11,4	85
AD43500	AD43506	500	532	520	290	12	112,4

dimensions in mm

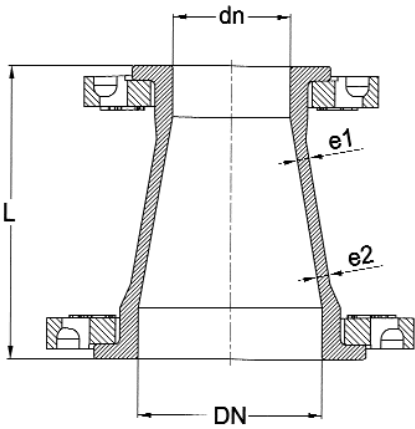
L' Length to meet the DE outside diameter.

■ **Technical characteristics:**

- Fixed flanges
- According to EN 545 standard
- Ductile iron GGG-40
- Epoxy coating. RAL 5015.

DUCTILE IRON FITTINGS

CONE



■ Technical characteristics:

- Loose flanges
- According to EN 545 standard
- Ductile iron GGG-40
- Epoxy coating. RAL 5015.

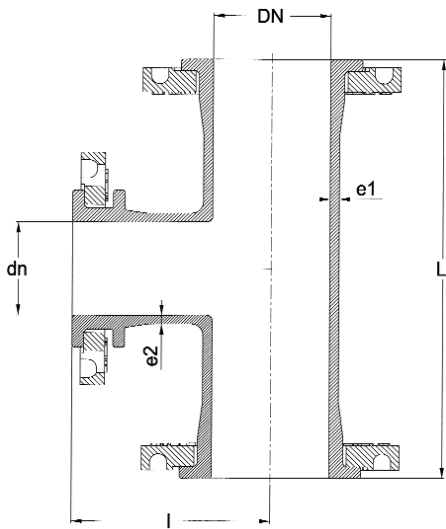
CODE		DN	dn	L	e1	e2	WEIGHT (kg.)
PN 10	PN 16						
AD2400500		50	40	150	7	7	4,0
AD24006005		60/65	40	130	7	7	5,5
AD24006015			50	160	7	7	6,1
AD2400800		80	40	175	7	7	6,0
AD2400801			50	175	7	7	7,0
AD2400802		60/65	200		7	7	7,1
AD2401001		100	50	170	7,2	7	8,2
AD2401002			60/65	200	7,2	7	8,8
AD2401004			80	200	7,2	7	9,8
AD2401201		125	50	170	7,5	7	9,6
AD24012025			60/65	200	7,5	7	10,0
AD2401204			80	200	7,5	7	10,7
AD2401205			100	200	7,5	7,2	12
AD24015001		150	50	200	7,8	7	11,0
AD240150025			60/65	200	7,8	7	11,4
AD24015004			80	200	7,8	7	12,8
AD24015005			100	200	7,8	7,2	13,2
AD24015006			125	200	7,8	7,5	15,4
AD2412004		200	80	300	8,4	7	19,1
AD2412005			100	300	8,4	7,2	20,0
AD2412006			125	300	8,4	7,5	22,0
AD2412007			150	300	8,4	7,8	24,6
AD2402505 AD2462505		250	100	300	9	7,2	24,0
AD2402506 AD2462506			125	270	9	7,5	26,0
AD2402507 AD2462507			150	270	9	7,8	27,0
AD2402508 AD2462508			200	300	9	8,4	33,0
AD2403005 AD2463005		300	100	300	9,6	7,2	37,5
AD2403006 AD2463006			125	300	9,6	7,5	38,5
AD2403007 AD2463007			150	300	9,6	7,8	40,0
AD2403008 AD2463008			200	300	9,6	8,4	44,0
AD2403009 AD2463009			250	300	9,6	9	49,0

dimensions in mm



DUCTILE IRON FITTINGS

TEE



■ Technical characteristics:

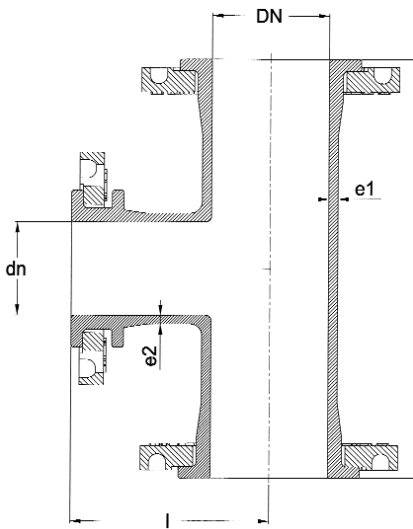
- Loose flanges
- According to EN 545 standard
- Ductile iron GGG-40
- Epoxy coating. RAL 5015.

CODE		DN	dn	L	I	e1	e2	WEIGHT (kg.)
PN 10	PN 16							
AD1300500		50	40	280	105	7	7	9,0
AD1300501			50	280	140	7	7	9,7
AD13006005		60/65	40	280	105	7	7	10,6
AD13006015			50	300	135			12,0
AD13006025		60/65	300	150	7	7		12,5
AD1300800		80	40	310	135	7	7	12,0
AD1300801			50	310	135			13,0
AD13008025		60/65	310	155	7	7		14,7
AD1300804		80	330	165	7	7		15,6
AD1301000		100	40	320	145	7,2	7	14,0
AD1301001			50	320	145	7,2	7	15,0
AD13010025		60/65	320	165	7,2	7		16,7
AD1301004		80	330	170	7,2	7		17,5
AD1301005		100	360	180	7,2	7,2		19,2
AD1301201		125	50	330	160	7,5	7	19,0
AD13012025		60/65	330	180	7,5	7		20,0
AD1301204		80	350	185	7,5	7		21,9
AD1301205		100	370	195	7,5	7,2		23,0
AD1301206		125	400	200	7,5	7,5		25,5
AD1301501		150	50	340	180	7,8	7	24,6
AD13015025		60/65	340	190	7,8	7		25,8
AD1301504		80	360	200	7,8	7		27,5
AD1301505		100	380	205	7,8	7,2		28,1
AD1301506		125	410	215	7,8	7,5		31,0
AD1301507		150	440	220	7,8	7,8		34,0
AD13120025		200	60/65	365	215	8,4	7	35,1
AD1312004		80	380	225	8,4	7		36,4
AD1312005		100	400	230	8,4	7,2		37,7
AD1312006		125	460	270	8,4	7,5		41,6
AD1312007		150	460	245	8,4	7,8		44,0
AD1312008		200	520	260	8,4	8,4		52,0
AD1302504 AD1362504		250	80	405	265	9	7	55,0
AD1302505 AD1362505		100	425	270	9	7,2		57,0
AD1302506 AD1362506		125	475	275	9	7,5		62,0
AD1302507 AD1362507		150	485	280	9	7,8		65,0
AD1302508 AD1362508		200	540	290	9	8,4		72,0
AD1302509 AD1362509		250	600	300	9	9		84,0
AD1303005 AD1363005		300	100	450	300	9,6	7,2	77,0
AD1303006 AD1363006		125	480	305	9,6	7,5		83,0
AD1303007 AD1363007		150	505	310	9,6	7,8		87,0
AD1303008 AD1363008		200	565	320	9,6	8,4		91,0
AD1303009 AD1363009		250	620	330	9,6	9		94,0
AD1303010 AD1363010		300	680	340	9,6	9,6		118,0



DUCTILE IRON FITTINGS

TEE



■ Technical characteristics:

- Loose flanges
- According to EN 545 standard
- Ductile iron GGG-40
- Epoxy coating. RAL 5015.

CODE		DN	dn	L	l	e1	e2	WEIGHT (kg.)
PN 10	PN 16							
AD1303502	AD1363502	350	60	430	320	10,2	7	78,0
AD1303504	AD1363504		80	445	325	10,2	7	80,0
AD1303505	AD1363505		100	470	330	10,2	7,2	84,0
AD1303507	AD1363507		150	530	340	10,2	7,8	92,0
AD1303508	AD1363508		200	585	350	10,2	8,4	100,0
AD1303509	AD1363509		250	645	360	10,2	9	110,0
AD1303510	AD1363510		300	680	370	10,2	9,6	125,0
AD1303511	AD1363511		350	760	380	10,2	10,2	140,0
AD1304004	AD1364004	400	80	470	355	10,8	7	100,0
AD1304005	AD1364005		100	490	360	10,8	7,2	113,0
AD1304007	AD1364007		150	550	370	10,8	7,8	121,0
AD1304008	AD1364008		200	610	380	10,8	8,4	133,0
AD1304009	AD1364009		250	665	390	10,8	9	142,0
AD1304010	AD1364010		300	725	400	10,8	9,6	157,0
AD1304011	AD1364011		350	725	400	10,8	10,2	168,0
AD1304012	AD1364012		400	840	420	10,8	10,8	180,0
AD13045006	AD13645006	450	100	515	390	11,4	7,2	125,0
AD13045007	AD13645007		150	570	400	11,4	7,8	135,0
AD13045008	AD13645008		200	630	410	11,4	8,4	146,0
AD13045009	AD13645009		250	690	420	11,4	9,0	158,0
AD13045010	AD13645010		300	745	430	11,4	9,6	170,0
AD13045011	AD13645011		350	805	440	11,4	10,2	185,0
AD13045012	AD13645012		400	860	450	11,4	10,8	198,0
AD13045013	AD13645013		450	920	460	11,4	11,4	215,0
AD1305006	AD1365006	500	100	535	420	12,0	7,2	160,0
AD1305007	AD1365007		150	590	430	12,0	7,8	170,0
AD1305008	AD1365008		200	650	440	12,0	8,4	185,0
AD1305009	AD1365009		250	725	450	12,0	9,0	198,0
AD1305010	AD1365010		300	805	460	12,0	9,6	215,0
AD1305012	AD1365012		400	885	480	12,0	10,8	267,0
AD1305014	AD1365014		500	1000	500	12,0	12,0	290,0

dimensions in mm





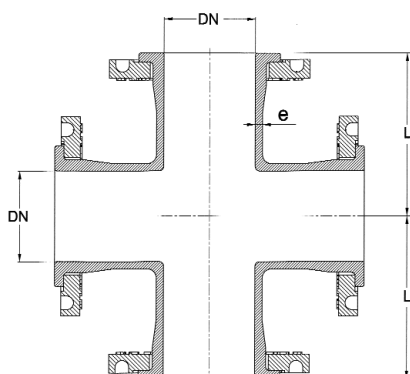
DUCTILE IRON FITTINGS

CROSS



CODE		DN	L	e	WEIGHT (kg.)
PN 10	PN 16				
AD18080		80	165	7	19,0
AD18100		100	180	7,2	24,0
AD18125		125	200	7,5	33,0
AD18150		150	220	7,8	42,0
AD18201		200	260	8,4	64,0
AD18250	AD18256	250	350	9	105,0
AD18300	AD18306	300	400	9,6	145,0

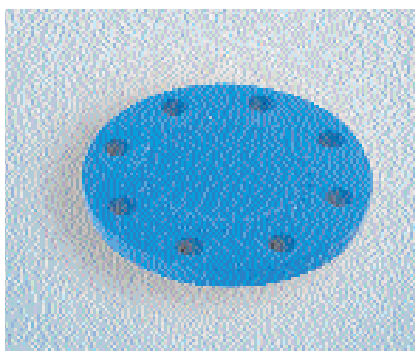
dimensions in mm



■ Technical characteristics:

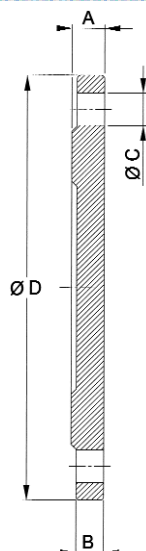
- Loose flanges
- According to EN 545 standard
- Ductile iron GGG-40
- Epoxy coating. RAL 5015.

BLANKING FLANGE



CODE		DN	D	A	b	c	WEIGHT (kg.)
PN 10	PN 16						
AD35040		40	150	19	16	3	1,97
AD35050		50	165	19	16	3	2,5
AD35063		60/65	185	19	16	3	3,2
AD35080		80	200	19	16	3	3,5
AD35100		100	220	19	16	3	4,8
AD35125		125	250	19	16	3	5,4
AD35150		150	285	19	16	3	7,3
AD35201		200	340	20	17	3	10,8
AD35250	AD35256	250	395	22	19	3	17,2
AD35300	AD35306	300	445	24,5	20,5	4	26,6
AD35350	AD35356	350	505	40	30	10	38
AD35400	AD35406	400	565	40	30	10	62
AD35450	AD35456	450	615	42	32	10	71
AD35500	AD35506	500	670	44	34	10	90

dimensions in mm

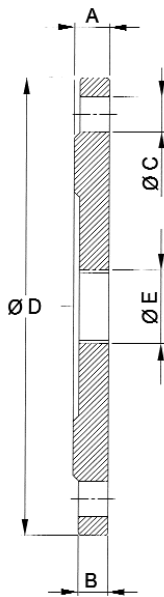
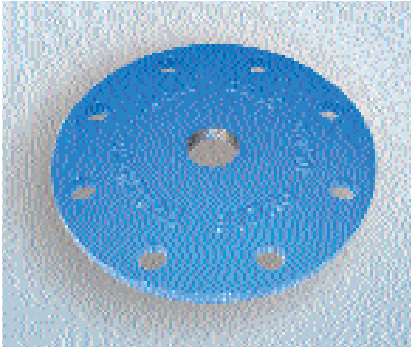


■ Technical characteristics:

- According to EN 545 standard
- Ductile iron GGG-40
- Epoxy coating RAL 5015

DUCTILE IRON FITTINGS

BLANKING FLANGE THREADED



CODE		DN	D	A	B	C	E	WEIGHT (kg.)
PN 10	PN 16							
ADPG024		40 PB	150	19	16	19	40	1,80
ADPG025		40 GB	165	19	16	19	55	1,70
ADPG001		50 PB	165	19	16	19	40	2,30
ADPG002		50 GB	165	19	16	19	55	2,50
ADPG005		60/65 GB	185	19	16	19	55	2,90
ADPG010		60/65 PB	185	19	16	19	40	2,50
ADPG011		80 PB	200	19	16	19	40	3,00
ADPG007		80 GB	200	19	16	19	55	2,90
ADPG012		100 PB	220	19	16	19	40	4,00
ADPG006		100 GB	220	19	16	19	55	3,90
ADPG013		125 PB	250	19	16	19	40	5,40
ADPG004		125 GB	250	19	16	19	55	5,30
ADPG014		150 PB	285	19	16	23	40	6,80
ADPG008		150 GB	285	19	16	23	55	6,70
ADPG015		200 PB	340	20	17	23	40	10,30
ADPG009		200GB	340	20	17	23	55	10,20
ADPG003		250 PB	395	22	19	23	55	15,90
ADPG017		250 GB	395	22	19	23	55	15,80
	ADPG018	250 PB	405	22	19	28	40	16,50
	ADPG019	250 GB	405	22	19	28	55	16,40
ADPG020		300 PB	445	24,5	20,5	23	40	22,40
ADPG021		300 GB	445	24,5	20,5	23	55	22,30
	ADPG022	300 PB	460	24,5	20,5	28	40	23,70
	ADPG023	300 GB	460	24,5	20,5	28	55	23,60

dimensions in mm

■ Technical characteristics:

- According to EN 545 standard
- Ductile iron GGG-40
- Epoxy coating RAL 5015



COUPLINGS AND FLANGE ADAPTORS

COUPLINGS

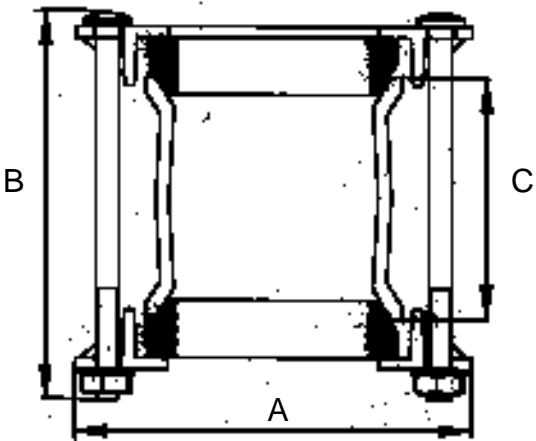


CODE	DN	TOLERANCE		A	B	C	WEIGHT (kg.)
		MIN.	MÁX.				
AG05050	50	59	72	155	200	100	4
AG05065	60	72	85	165	200	100	4
AG05080	80	88	102	201	200	100	5
AG05100	100	107	128	228	200	100	6
AG05125	125	125	140	244	200	100	7
AG05126	125	138	154	254	200	100	7
AG05150	150	158	182	289	230	106	9
AG05175	175	185	200	300	230	130	12
AG05200	200	218	235	340	230	130	13
AG05201	200	230	247	354	230	130	16
AG05250	250	272	289	398	230	130	19
AG05300	300	315	332	440	230	130	21
AG05302	300	332	349	448	230	130	21

dimensions in mm

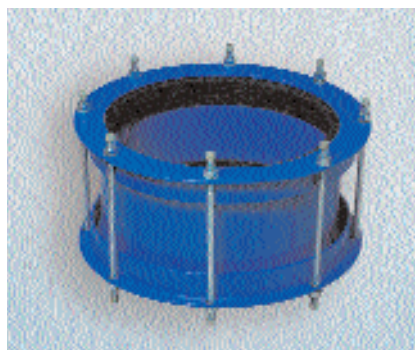
■ Technical characteristics:

- PN10 and PN16
- For iron pipes (ductile or grey), PVC, fibre cement or steel.
- Ductile iron GGG-40 with epoxy coating. RAL 5015
- Gaskets of EPDM.
- Screws, nuts, washers and screwed rods with anticorrosion protection.
- Stainless screws, nuts, washers and screwed rods upon request.
- Tightening torque 55-65 Nm.
- Angular deflection 6°.



COUPLINGS AND FLANGE ADAPTORS

LARGE DIAMETER COUPLINGS

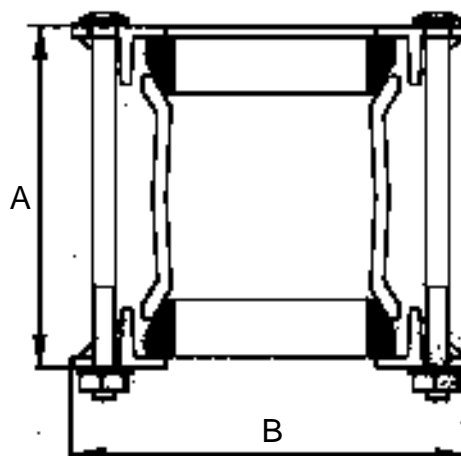


CODE	TOLERANCE		DIMENSIONS		WEIGHT (kg.)
	MIN.	MÁX.	A	B	
AG05D350	350	359	220	470	25,6
AG05D351	373	382	220	494	27,1
AG05D400	400	408	220	522	28,9
AG05D401	424	431	220	545	30,7
AG05D450	475	482	220	596	32,5
AG05D500	503	510	220	620	35,5
AG05D501	527	534	220	648	37,5
AG05D600	605	612	220	722	42,3
AG05D601	630	637	220	750	44,0

dimensions in mm

■ Technical characteristics:

- For iron pipes (ductile or grey), PVC, fibre cement or steel.
- Made of steel plate with epoxy coating.
- Gaskets of EPDM.
- Screws, nuts, washers and screwed rods with anticorrosion protection.
- Tightening torque 55-65 Nm.





COUPLINGS AND FLANGE ADAPTORS

STEPPED COUPLINGS

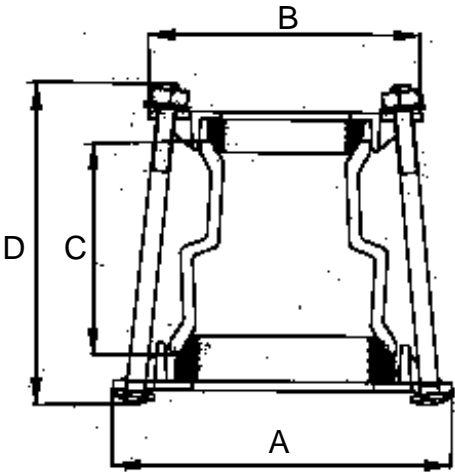


CODE	DN	dn	OUTSIDE Ø TUBES		A	B	C	D	WEIGHT (kg.)
			RANGE MIN-MAX	RANGE MIN-MAX					
AG060050	50	65	59-72	72-85	181	168	128	220	4,71
AG060051	50	80	59-72	88-103	201	168	128	220	5,96
AG060081	80	80	88-103	95-108	208	201	128	220	6,76
AG060082	80	100	88-103	107-128	228	201	128	220	6,98
AG060083	80	100	95-108	107-128	228	208	128	220	7,43
AG060102	100	125	107-128	125-140	244	228	128	220	8,24
AG060125	125	125	125-140	138-154	254	244	128	220	8,44
AG060126	125	150	125-140	158-182	289	244	128	220	9,47
AG060127	125	150	138-154	158-182	289	254	128	220	10,00
AG060150	150	175	158-182	185-200	300	289	128	220	11,10
AG060175	175	200	185-200	218-235	335	300	165	220	12,80
AG060225	225	250	250-267	272-289	398	375	165	250	20,13
AG060251	250	250	272-289	291-308	415	398	165	250	20,91
AG060302	300	300	315-332	332-349	457	440	165	250	25,09

dimensions in mm

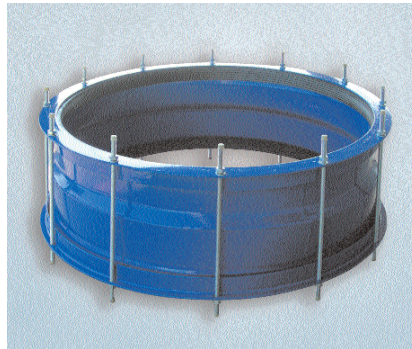
Technical characteristics:

- PN10 and PN16
- For iron pipes (ductile or grey), PVC, fibre cement or steel.
- Ductile iron GGG-40 with epoxy coating. RAL 5015
- Gaskets of EPDM.
- Screws, nuts, washers and screwed rods with anticorrosion protection.
- Tightening torque 55-65 Nm.
- Angular deflection 6°.



COUPLINGS AND FLANGE ADAPTORS

LARGE DIAMETER STEPPED COUPLINGS

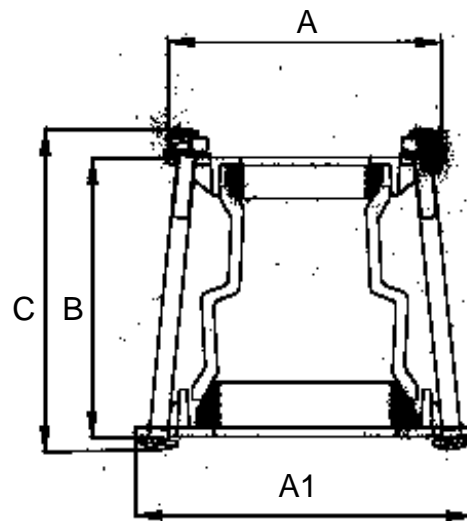


CODE	ADJUTAGE		RANGE		DIMENSIONS				WEIGHT (kg.)
	MIN.	MAX.	MIN.	MAX.	A	A1	B	C	
AG06D0304	322	331	349	358	442	470	440	500	58,58
AG06D0351	375	384	395	404	498	515	440	500	63,23
AG06D0352	395	404	419	428	515	540	440	500	64,08
AG06D0401	404	411	425	432	525	545	440	500	65,87
AG06D0402	425	432	435	442	545	555	440	500	66,45
AG06D0403	425	432	447	454	545	570	440	500	66,59
AG06D0404	425	432	450	457	545	572	440	500	74,03
AG06D0451	475	483	488	495	598	610	440	500	72,28
AG06D0452	475	483	502	509	598	623	440	500	72,52
AG06D0453	475	483	508	515	600	628	440	500	77,25
AG06D0501	527	534	540	547	650	660	440	500	78,00
AG06D0502	527	534	555	562	650	678	440	500	78,52
AG06D0503	527	534	565	572	650	685	440	500	79,20
AG06D0504	527	534	580	587	650	670	440	500	88,80
AG06D0601	630	637	645	652	750	765	440	500	89,47
AG06D0602	630	637	662	669	750	783	440	500	90,00
AG06D0603	630	637	675	682	750	800	440	500	90,00

dimensions in mm

■ Technical characteristics:

- For iron pipes (ductile or grey), PVC, fibre cement or steel.
- Made of steel plate with epoxy coating.
- Gaskets of EPDM.
- Screws, nuts, washers and screwed rods with anticorrosion protection.
- Tightening torque 55-65 Nm.





COUPLINGS AND FLANGE ADAPTORS

FLANGE ADAPTORS

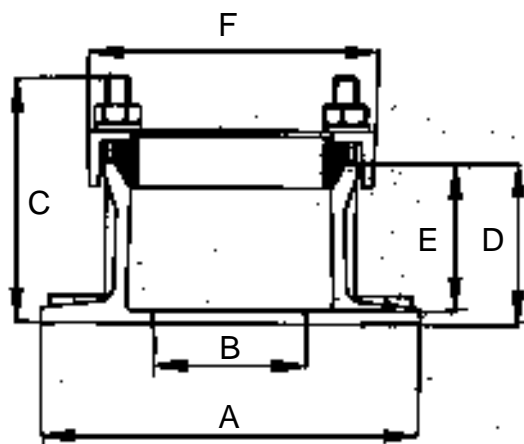


CODE		DN	OUTSIDE Ø TUBES	A	B	C	D	E	F	WEIGHT (kg.)
PN 10	PN 16									
AG27050		50	59-72	165	60	127	85	78	155	4,19
AG27065		60/65	72-85	185	65	127	85	78	165	5,10
AG27080		80	88-102	200	80	127	85	78	201	5,97
AG27100		100	107-128	220	100	127	85	78	228	7,04
AG27125		125	125-140	250	125	127	85	78	244	8,26
AG27126		125	138-154	250	125	127	85	78	254	8,43
AG27150		150	158-182	285	150	127	85	78	289	10,20
AG27175		175	185-200	340	200	127	85	78	300	12,67
AG27200		200	218-235	340	200	127	85	78	335	12,51
AG27251		250	272-289	405	250	127	90	83	398	19,96
AG27300		300	315-332	460	300	127	90	83	440	22,00
AG27302		300	332-349	460	300	127	90	83	458	22,50

dimensions in mm

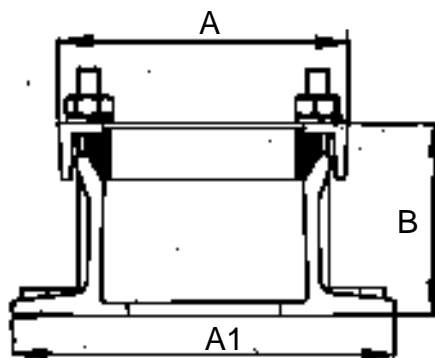
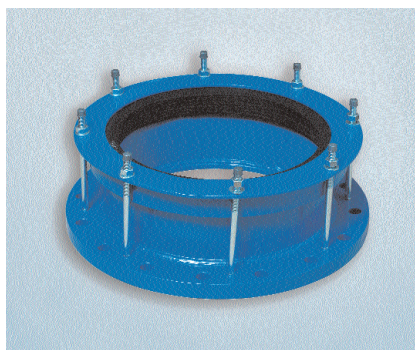
Technical characteristics:

- PN10 and PN16
- For iron pipes (ductile or grey), PVC, fibre cement or steel.
- Ductile iron GGG-40 with epoxy coating. RAL 5015
- Gaskets of EPDM.
- Screws, nuts, washers and screwed rods with anticorrosion protection.
- Stainless screws, nuts, washers and screwed rods upon request.
- Angular deflection 6°.



COUPLINGS AND FLANGE ADAPTORS

LARGE DIAMETER FLANGE ADAPTORS



CODE	TOLERANCE		FLANGE	A	A1	B	WEIGHT (kg.)
	MIN.	MAX.					
AG27D352	350	359	350 PN10	470	505	170	31,90
AG27D350	350	359	350 PN16	470	505	170	33,85
AG27D353	373	382	350 PN10	494	505	170	31,90
AG27D351	373	382	350 PN16	494	505	170	33,85
AG27D402	400	408	400 PN10	522	565	170	37,10
AG27D400	400	408	400 PN16	522	565	170	42,15
AG27D403	424	431	400 PN10	545	565	170	37,10
AG27D401	424	431	400 PN16	545	565	170	42,15
AG27D451	475	482	450 PN10	596	610	170	42,20
AG27D450	475	482	450 PN16	596	610	170	52,92
AG27D502	503	510	500 PN10	620	670	170	47,70
AG27D500	503	510	500 PN16	620	670	170	78,32
AG27D503	527	534	500 PN10	648	670	170	40,70
AG27D501	527	534	500 PN16	648	670	170	78,32
AG27D602	605	612	600 PN10	722	780	170	62,00
AG27D600	605	612	600 PN16	722	780	170	101,20
AG27D603	630	637	600 PN10	750	780	170	62,00
AG27D601	630	637	600 PN16	750	780	170	101,20

dimensions in mm

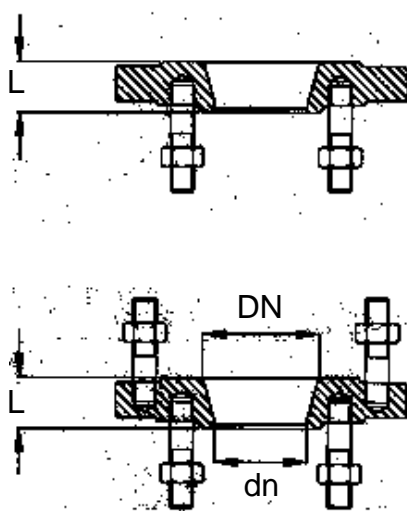
■ Technical characteristics:

- For iron pipes (ductile or grey), PVC, fibre cement or steel.
- Made of steel plate with RILSAN coating.
- Gaskets of EPDM.
- Screws, nuts, washers and screwed rods with stainless protection.



STUDED REDUCER FLANGE

STUDED REDUCER FLANGE



CODE	DN	dn	DIMENSIONS L	SCREWED	WEIGHT (kg.)
AD25001	60	40	55	D M16 (x8)	5,8
AD25035	80	40	32	D M16 (x8)	4,9
AD25026		40	32	D M16 (x12)	5,7
AD25036	80	50	32	D M16 (x8)	5,1
AD25027		50	32	D M16 (x12)	5,7
AD25037	80	60	50	D M16 (x8)	7,8
AD25028		60	32	D M16 (x12)	5,7
AD250285	80	65	32	D M16 (x12)	5,7
AD25006	100	40	32	D M16 (x12)	6,1
AD25008		60	32	D M16 (x12)	6
AD250085		65	32	D M16 (x12)	6,1
AD25041		80	55	D M16 (x12)	9,6
AD25029		80	55	D M16 (x12)	9,9
AD250301	125	60	32	D M16 (x12)	7,7
AD250305		65	32	D M16 (x12)	7,7
AD25043		80	32	D M16 (x12)	8,2
AD25030		80	32	D M16 (x16)	8
AD25012		100	55	D M16 (x16)	12,4
AD25013	150	60	37	S M16 (x4)	10,2
AD250135		65	37	S M16 (x4)	10,2
AD25045		80	32	S M16 (x4)	8,1
AD25031		80	32	S M16 (x8)	8,7
AD25015		100	32	D M16 (x8) M20	10,2
AD25016		125	55	D M16 (x8) M20	15,3
AD25017	200 PN10/16	60	55	S M16 (x4)	20,5
AD250175	PN10/16	65	55	S M16 (x4)	20,5
AD25047	PN10/16	80	50	S M16 (x4)	13,8
AD25032	PN10/16	80	50	S M16 (x8)	19
AD25019	PN10/16	100	50	S M16 (x8)	13,4
AD25020	PN10/16	125	38	S M16 (x8)	14,5
AD25021	PN10	150	32	D M20 (x16)	14,3
AD250216	PN16	150	32	D M20 (x20)	14,7
AD25022	250 PN10	100	35	S M20 (x8)	17
AD25023		200	35	D M20 (x20)	18,3
AD25024	300 PN10	200	35	S M20 (x8)	20
AD25025		250	35	D M20 (x20)	21,8

dimensions in mm

Screwed: S = single set

D = double set

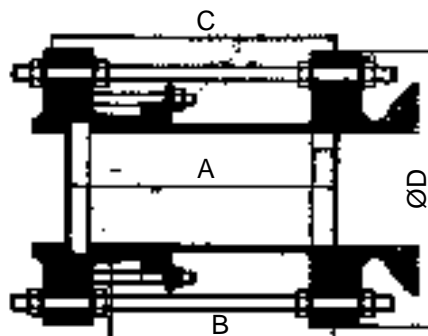
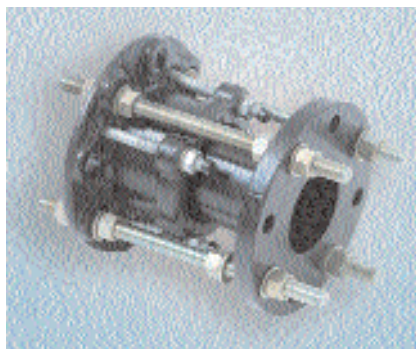
■ Technical characteristics:

- In accordance to EN 545
- Ductile iron GGG-40
- Epoxy coating RAL 5015
- Bolts and nuts with anticorrosion protection.



DISMANTLING JOINTS

DISMANTLING JOINTS



CODE	DN	BOLTS N°-DIAX LENGTH	FLANGE	NUMBER OF TIE BARS	A	B	C	ØD	WEIGHT (kg.)
AG120050	DN50	M16 x 300	PN10/16	4	185	165	205	185	8.3
AG120065	DN65	M16 x 300	PN10/16	4	185	165	205	185	9.3
AG120080	DN80	M16 x 300	PN10/16	4	185	165	205	210	10.8
AG120100	DN100	M16 x 300	PN10/16	4	185	165	205	230	12.1
AG120125	DN125	M16 x 300	PN10/16	4	185	165	205	285	14.5
AG120150	DN150	M20 x 310	PN10/16	4	188	168	208	285	21.0
AG120200	DN200	M20 x 310	PN10	4	188	168	208	340	26.9
AG120201	DN200	M20 x 310	PN16	4	188	168	208	340	27.4
AG120250	DN250	M20 x 310	PN10	4	188	168	208	406	33.8
AG120251	DN250	M24 x 330	PN16	4	191	171	211	405	39.9
AG120300	DN300	M20 x 310	PN10	4	188	168	208	445	39.1
AG120301	DN300	M24 x 330	PN16	4	191	171	211	460	46.8
AG120350	DN350	M20 x 440	PN10	4	302	277	327	505	67.7
AG120351	DN350	M24 x 460	PN16	4	302	277	327	520	73.7
AG120400	DN400	M24 x 460	PN10	4	302	277	327	565	80.3
AG120401	DN400	M27 x 490	PN16	4	302	277	327	580	87.5
AG120450	DN450	M24 x 460	PN10	5	302	277	327	615	89.7
AG120451	DN450	M27 x 490	PN16	5	302	277	327	640	102.0
AG120500	DN500	M24 x 460	PN10	5	302	277	327	670	100.0
AG120501	DN500	M30 x 500	PN16	5	302	277	327	715	123.0
AG120600	DN600	M27 x 490	PN10	5	302	277	327	780	124.0
AG120601	DN600	M33 x 515	PN16	5	302	277	327	840	159.0
AG120700	DN700	M27 x 490	PN10	6	302	277	327	895	151.0
AG120701	DN700	M33 x 540	PN16	6	302	277	327	910	167.0
AG120800	DN800	M30 x 500	PN10	6	302	277	327	1015	184.0
AG120801	DN800	M36 x 545	PN16	6	302	277	327	1025	199.0
AG120900	DN900	M30 x 530	PN10	7	302	277	327	1115	205.0
AG121901	DN900	M36 x 570	PN16	7	302	277	327	1125	223.0
AG121000	DN1000	M33 x 540	PN10	7	307	277	337	1230	271.0
AG121001	DN1000	M39 x 600	PN16	7	307	277	337	1255	300.0
AG121200	DN1200	M36 x 570	PN10	8	320	290	350	1455	448.0
AG121201	DN1200	M45 x 630	PN16	8	320	290	350	1485	508.0
AG121400	DN1400	M39 x 600	PN10	9	320	290	350	1675	547.0
AG121401	DN1400	M45 x 665	PN16	9	320	290	350	1685	602.0
AG121800	DN1800	M45 x 795	PN10	11	462	412	512	2115	1176.0
AG121801	DN1800	M52 x 900	PN16	11	462	412	512	2130	1363.0

dimensions in mm

■ Technical characteristics:

- The disassembling spool has been developed to simplify the assembly and maintenance of tubes and other elements, by making the lines in the length direction more flexible.
- Easy to use in valve installations, pumping equipment and, in general, in water and gas installations.
- Made of ductile iron until DN 300 and of steel plate until the superior dimensions.
- Rilsan Nylon 11 coating.
- Studs of steel with epoxy coating.
- Tie bar of steel with stainless protection.
- Gaskets of EPDM.





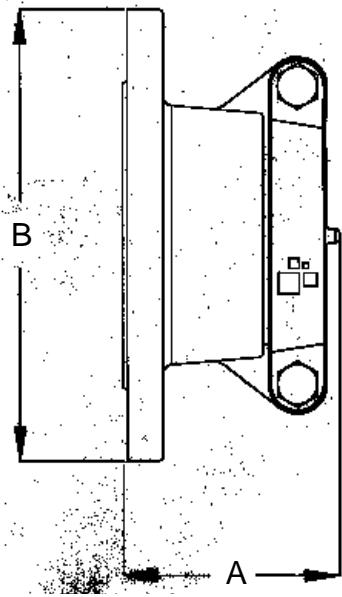
FLANGE ADAPTOR FOR PVC-PE PIPELINES

FLANGE with BLOCKING



CODE	DN	OUTSIDE Ø TUBES	A	B	WEIGHT (kg.)
AFBB063	50	63	101	165	2,7
AFBB075	60-65	75	101	185	3,1
AFBB090	80	90	101	200	3,7
AFBB110	100	110	135	220	5,7
AFBB125	125	125	142	250	6,6
AFBB160	150	160	147	285	8,7
AFBB200	200	200	147	340	11,3

dimensions in mm



■ **Technical characteristics:**

- Flange with blocking type AFBB.
- Antitraction for tubes of PVC/PE of high or low density.
- PN10 / PN16.
- Test pressure: PN25 (37.5 kg/cm²).
- Flange: Ductile iron GGG-40
Coating: Epoxy
Colour: RAL 5015
- Claws: Ductile iron GGG-40.
Coating: Anticorrosion protection.
- Gasket in EDPM.
- Screws, nuts and washers with anticorrosion protection.

⚠ Attention

1°

Locate the flange and gasket according to the assembling position. Lubricate the outside of the gasket with soap.

2°

Adjust the flange with its gasket and tighten the clamp slightly.

3°

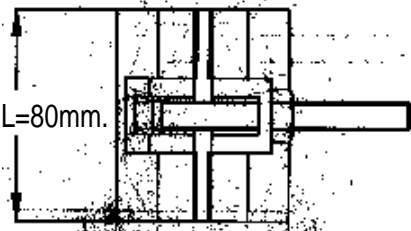
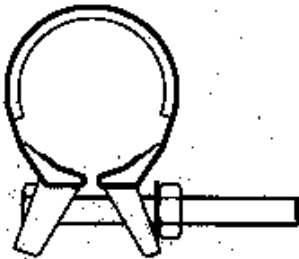
Screw the flange and next, tighten the clamp to the limit.

4°

To obtain a reliable installation it is necessary to prevent the contraction of the tube during the installation. The dilation coefficient of the EPRs 2 x 10 cm./cm°C.

REPAIR CLAMPS

REPAIR CLAMP width 80 mm.



CODE	DN TUBE PVC-PE	OUTSIDE Ø TUBES	WEIGHT (kg.)
ARV00025	1/2"	21-25	0.220
ARV00030	3/4"	26-30	0.230
ARV00033		29-33	0.235
ARV00037	1"	33-37	0.240
ARV00042		38-42	0.255
ARV00045	1 1/4"	42-45	0.260
ARV00048		44-48	0.260
ARV00051	1 1/2"	48-51	0.265
ARV00054		50-54	0.270
ARV00060		55-60	0.280
ARV00064	2"	60-64	0.435
ARV00069		65-69	0.455
ARV00073		69-73	0.460
ARV00076	2 1/2"	71-76	0.465
ARV00082		76-82	0.485
ARV00087		82-87	0.505
ARV00093	3"	87-93	0.515
ARV00100	3 1/2"	94-100	0.525
ARV00104		99-104	0.530
ARV00111		105-111	0.555
ARV00118	4"	112-118	0.555
ARV00126		120-126	0.645
ARV00131		126-131	0.680
ARV00136		131-136	0.685
ARV00145	5"	139-145	0.700
ARV00162		156-162	0.750
ARV00173		167-173	0.775
ARV00179		173-179	0.785
ARV00223		217-223	0.880
ARV00229		223-229	0.865

dimensions in mm

■ Technical characteristics:

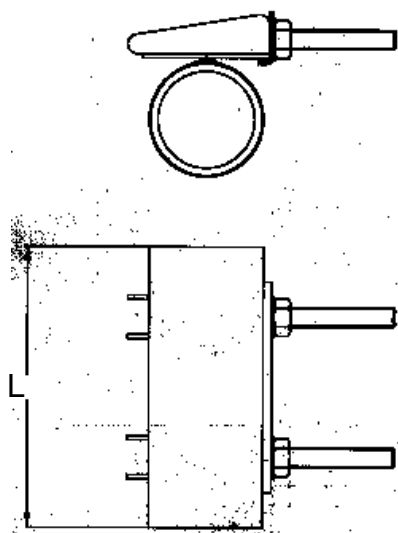
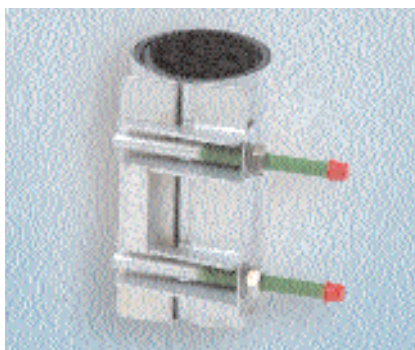
- Repair clamp for iron, PVC, PE or steel pipelines.
- Bands completely made of stainless steel.
- Screws, nuts and washers with anticorrosion protection.
- EPDM gasket.





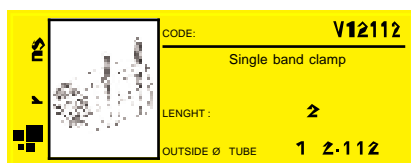
REPAIR CLAMPS

SINGLE BAND CLAMP with LOCK



CODE	LENGTH (L)	OUTSIDE Ø TUBES	WORKING PRESSURE	WEIGHT (kg.)
ARV12052	200	48 - 52	20 bar	1.6
ARV12058		54 - 58	20 bar	1.7
ARV12067		60 - 67	20 bar	1.8
ARV12074		67 - 74	20 bar	1.9
ARV12080		73 - 80	20 bar	1.9
ARV12089		82 - 89	20 bar	2.0
ARV12094		87 - 94	20 bar	2.1
ARV12102		95 - 102	20 bar	2.1
ARV12112		102 - 112	16 bar	2.2
ARV12123		113 - 123	16 bar	2.3
ARV12131		120 - 131	16 bar	2.3
ARV12142		132 - 142	16 bar	2.4
ARV12145		135 - 145	16 bar	2.4
ARV12155		145 - 155	16 bar	2.5
ARV12161		151 - 161	16 bar	2.6
ARV13102	300	95 - 102	24 bar	3.2
ARV13112		102 - 112	20 bar	3.3
ARV13123		113 - 123	20 bar	3.3
ARV13131		120 - 131	20 bar	3.4
ARV13142		132 - 142	20 bar	3.6
ARV13145		135 - 145	20 bar	3.7
ARV13155		145 - 155	20 bar	3.7
ARV13161		151 - 161	20 bar	3.8
ARV13170		159 - 170	20 bar	3.9
ARV13180		170 - 180	20 bar	4.0
ARV13191		180 - 191	20 bar	4.1
ARV13203		193 - 203	16 bar	4.3
ARV13210		200 - 210	16 bar	4.4

dimensions in mm

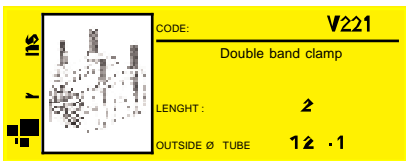
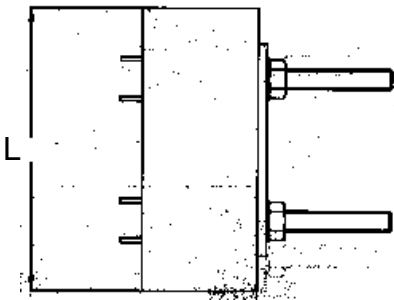
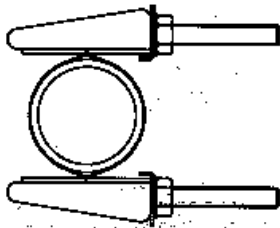
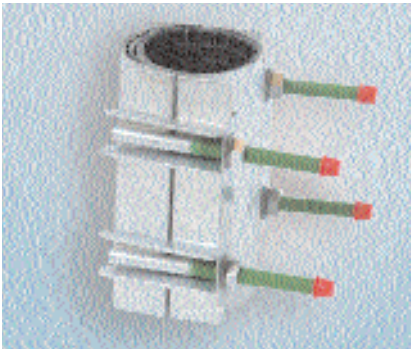


■ Technical characteristics:

- Completely made of stainless steel AISI 304 (A-2), with total passivation.
- Screws protected by application of PTFE.
- Interior gasket of EPDM.
- Full size range.
- Gunner to facilitate the assembly.
- Interior gasket of NBR for gaz upon request.

REPAIR CLAMPS

DOUBLE BAND CLAMP with TWO LOCKS



CODE	LENGTH (L)	OUTSIDE Ø TUBES	WORKING PRESSURE	WEIGHT (kg.)
ARV22110	200	88 - 110	16 bar	3.4
ARV22120		100 - 120	16 bar	3.5
ARV22140		120 - 140	16 bar	3.6
ARV22160		140 - 160	16 bar	3.8
ARV22180		159 - 180	14 bar	3.9
ARV22196		176 - 196	14 bar	4.0
ARV22217		195 - 217	14 bar	4.2
ARV23140	300	120 - 140	24 bar	5.3
ARV23160		140 - 160	24 bar	5.6
ARV23180		159 - 180	20 bar	5.8
ARV23196		176 - 196	20 bar	6.0
ARV23217		195 - 217	20 bar	6.2
ARV23238		216 - 238	16 bar	6.4
ARV23260		240 - 260	16 bar	6.7
ARV23270		250 - 270	16 bar	7.2
ARV23289		269 - 289	16 bar	7.5
ARV23302		282 - 302	16 bar	7.7
ARV23315		295 - 315	4 bar	8.1
ARV24260	400	240 - 260	6 bar	9.1
ARV24270		250 - 270	6 bar	9.8
ARV24289		269 - 289	6 bar	10.2
ARV24302		282 - 302	6 bar	10.4
ARV24315		295 - 315	6 bar	10.6
ARV24335		315 - 335	6 bar	11.1
ARV24358		337 - 358	6 bar	11.3
ARV24367		347 - 367	6 bar	11.6
ARV24385		365 - 385	6 bar	11.9
ARV24402		382 - 402	6 bar	12.2
ARV24420		396 - 420	4 bar	12.4
ARV25335	500	315 - 335	8 bar	13.7
ARV25358		337 - 358	8 bar	14.3
ARV25367		347 - 367	8 bar	14.4
ARV25385		365 - 385	8 bar	14.8
ARV25402		382 - 402	8 bar	15.3
ARV25420		396 - 420	6 bar	15.6
ARV25440		420 - 440	6 bar	16.2
ARV25455		435 - 455	6 bar	16.3
ARV25470		450 - 470	6 bar	16.6
ARV25488		468 - 488	6 bar	17.1

dimensions in mm

■ Technical characteristics:

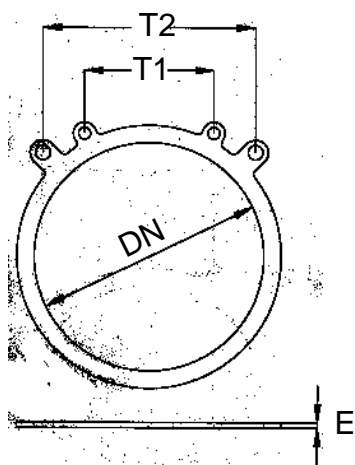
- Completely made of stainless steel AISI 304 (A-2), with total passivation.
- Screws protected by application of PTFE.
- Interior gasket of EPDM.
- Full size range.
- Gunner to facilitate the assembly.
- Interior gasket of NBR for gaz upon request.





GASKETS FOR FLANGES

STANDARD TYPE



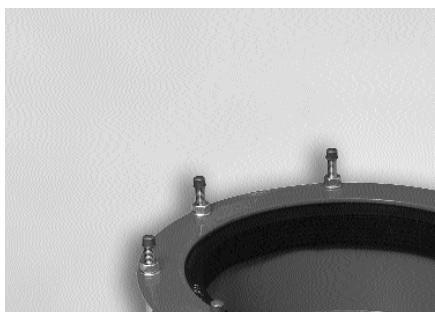
CODE	DN	E (mm)	T1	T2	WEIGHT (kg.)
AJ01040	40	3	70	-	20
AJ01050	50	3	87	-	20
AJ01060	60	3	93	-	25
AJ01065	65	3	102	-	28
AJ01080	80	3	61	-	35
AJ01100	100	3	68	-	45
AJ01125	125	3	81	-	55
AJ01150	150	3	91	-	70
AJ01200	200	3	75	-	90
AJ01250	250	4	91	-	135
AJ01300	300	4	105	-	180
AJ01350	350	4	91	-	210
AJ01400	400	4	102	-	225
AJ01450	450	4	264	-	375
AJ01500	500	5	282	463	435
AJ01600	600	5	320	536	590
AJ01700	700	6	320	508	785

dimensions in mm

■ **Technical characteristics:**

- Made in EPDM material.
- Provided with ears to facilitate its positioning.

REINFORCED GASKET



CODE	DN
AJ00050	50
AJ00065	60
AJ00080	80
AJ00100	100
AJ00125	125
AJ00150	150
AJ00200	200
AJ00250	250
AJ00300	300
AJ00350	350
AJ00400	400
AJ00450	450
AJ00500	500
AJ00600	600
AJ00700	700

dimensions in mm

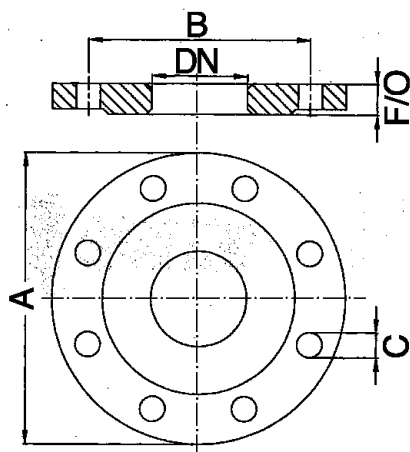
■ **Technical characteristics:**

- Made in HPDE material.
- Suitable up to 60° working temperature.
- Maximum working pressure up to 30 bar.

DIMENSIONS OF FLANGES

ACCORDING TO ISO 2531

DN	PN 10						PN 16						PN 25											
	PLANE		THICKNESS		SCREWS		PLANE		THICKNESS		SCREWS		PLANE		THICKNESS		SCREWS							
	A	B	C	F	O	M	X	A	B	C	F	O	M	X	A	B	C	F	O	M	X			
40	150	110	19	19	22	4	16	60	150	110	19	19	22	4	16	60	150	110	19	19	22	4	16	60
50	165	125	19	19	22	4	16	60	165	125	19	19	22	4	16	60	165	125	19	19	22	4	16	60
60	175	135	19	19	22	4	16	60	175	135	19	19	22	4	16	60	175	135	19	19	22	8	16	60
65	185	145	19	19	22	4	16	60	185	145	19	19	22	4	16	60	185	145	19	19	22	8	16	60
80	200	160	19	19	22	4	16	70	200	160	19	19	22	8	16	70	200	160	19	19	22	8	16	70
100	220	180	19	19	23	8	16	70	220	180	19	19	23	8	16	70	235	190	23	19	23	8	20	80
125	250	210	19	19	24.5	8	16	80	250	210	19	19	24.5	8	16	80	270	220	28	19	24.5	8	24	90
150	285	240	23	19	26	8	20	80	285	240	23	19	26	8	20	80	300	250	28	20	26	8	24	90
200	340	295	23	20	29	8	20	80	340	295	23	20	29	12	20	80	360	310	28	22	29	12	24	90
250	395*	350	23	22	32	12	20	80	405*	355	28	22	32	12	24	90	425	370	31	24.5	32	12	27	100
300	445*	400	23	24.5	36	12	20	100	460*	410	28	24.5	36	12	24	100	485	430	31	27.5	36	16	27	100
350	505	460	23	26.5	39	16	20	—	520	470	28	26.5	39	16	24	—	555	490	34	30	39	16	30	—
400	565	515	28	28	42	16	24	—	580	525	31	28	42	16	27	—	620	550	37	32	42	16	33	—
450	615	565	28	30	45	20	24	—	640	585	31	30	45	20	27	—	670	600	37	34.5	45	20	33	—
500	670	620	28	31.5	48	20	24	—	715	650	34	31.5	48	20	30	—	730	660	37	36.5	48	20	33	—
600	780	725	31	36	55	20	27	—	840	770	37	36	55	20	33	—	845	770	41	42	55	20	36	—
700	895	840	31	39.5	—	24	27	—	910	840	37	39.5	—	24	33	—	960	875	44	46.5	—	24	39	—
800	1015	950	34	43	—	24	30	—	1025	950	41	43	—	24	36	—	1085	990	50	51	—	24	45	—
900	1115	1050	34	46.5	—	28	30	—	1125	1050	41	46.5	—	28	36	—	1185	1090	50	55.5	—	28	45	—
1.000	1230	1160	37	50	—	28	33	—	1255	1170	44	50	—	28	39	—	1320	1210	57	60	—	28	52	—



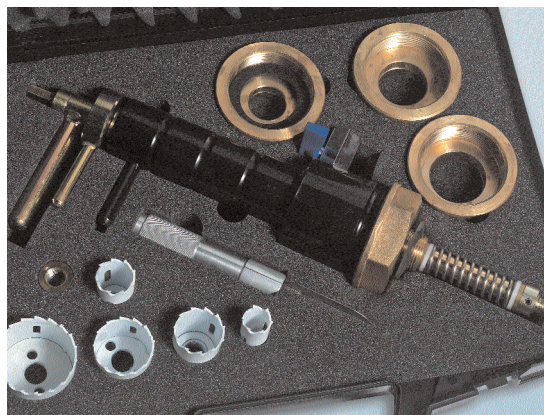
(*) For tubes and accessories of ductile iron the exterior diameter of the flanges must be: For DN 250, 400 mm. For DN 300, 455 mm. F = fixed flange.
 O = adjustable flange.
 X = suitable length of the bolts in mm.





TAPPING SADDLES

DRILLING MACHINE



CODE	DESCRIPTION
XTC001	drilling machine Ø 3/4" a 1"
XTC002	drilling machine Ø 3/4" a 2"
XTCE01	smoother

■ Characteristics:

Manual driller to bore tubes of PVC, cast iron or fibre cement, to connect water diversions by means of clamps used for filled tubes. Suitable up to PN16.

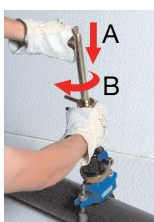
The machine is easy to handle and convenient to transport, thanks to its reduced size and weight.

It can have a lateral feeding point with 1/4" nut so as to connect a pressure indicator to check the internal tube pressure or to insert some mechanism required by the installation (valve, drainage valve, etc.).

The drill allows bits of up to Ø 8 mm without modifying the drill bit, once the machine is ready to use. The bit works by a spring which is activated when the machine has been put in the tapping saddle.

Equipped with bits of tungsten carbon steel and adaptors for bits from 3/4" up to 2" and one smoother.

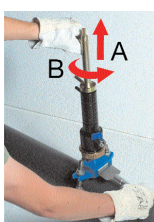
Instructions for use:



- Assemble the saddle on the tube and remove the protecting tap. Then fasten the driller on the saddle with the adequate bit.
- Lower the lever (A) until the drill bit makes contact with the tube. Then press this lever (B) clockwise, preventing the bit from moving backwards.
- This operation enables to reach the maximum spring pressure and the highest capacity.



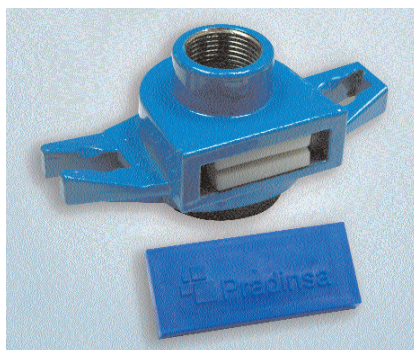
- Once steps of the previous paragraph have been taken, rotate the axis (C) manually, applying a hexagonal key of 8 mm or using an electrical drill.
- Turn this axis until perceiving there is no more resistance in the spring.
- In tubes thicker than 8 mm, readjust the lever (A) to maintain the spring pressure of the bit advance.



- Once all the previous steps have been taken, slacken the lever (B) smoothly and pull the lever (A). If water flight is detected by the axis, tighten the lever again (B). At this moment, place the plugging clamp smoother and remove the machine to install the derivation.

TAPPING SADDLES

UNDERPRESSURE TAPPING SADDLE

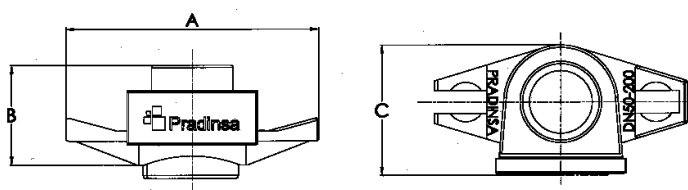


CODE	DN	SCREWED OUTLET GAS	A	B	C	WEIGHT (Kg)
CDTC004	50-200	3/4"	155	61	80	0,95
CDTC005	50-200	1"	155	61	80	0,95
CDTC006	50-200	1 1/4"	155	61	80	0,95

dimensions in mm

■ Technical characteristics:

- Ductile iron GGG-40.
- Gasket in EPDM material.
- Epoxy powder coating min. 250µ. RAL 5015.
- The headstock is suitable for the PRADINSA'S stainless steel band.



HEADSTOCK for STAINLESS STEEL BAND

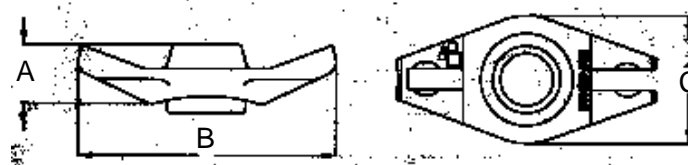


CODE	HEADSTOCK DN	SCREWED OUTLET GAS	A	B	C	WEIGHT (kg.)	UNITS BOX
CDIN002	50-200	3/4"	45	150	70	1,1	20
CDIN003	50-200	1"	45	150	70	1,1	20
CDIN004	50-200	1 1/4"	45	150	70	1,1	20
CDIN005	50-200	1 1/2"	45	150	70	1,1	20
CDIN103	100-300	1"	45	195	92	2,7	10
CDIN104	100-300	1 1/4"	45	195	92	2,7	10
CDIN105	100-300	1 1/2"	45	195	92	2,7	10
CDIN106	100-300	2"	45	195	92	2,7	10
CDIN206	150-400*	2"	65	216	157	5,9	4
CDIN207	150-400*	2 1/2"	65	216	157	5,9	4
CDIN208	150-400*	3"	65	216	157	5,9	4

* Double band.

■ Technical characteristics:

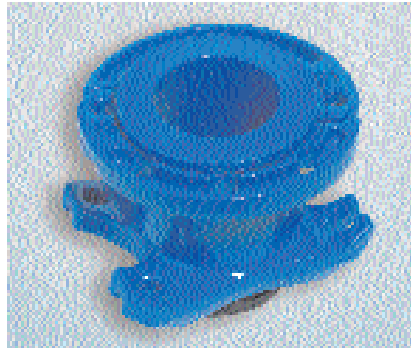
- According to EN 545 standard.
- Ductile iron GGG-40.
- Epoxy coating min. 250 micras. RAL 5015
- Gasket in EPDM material.
- Working pressure 20 bars.
- Test pressure 30 bars.





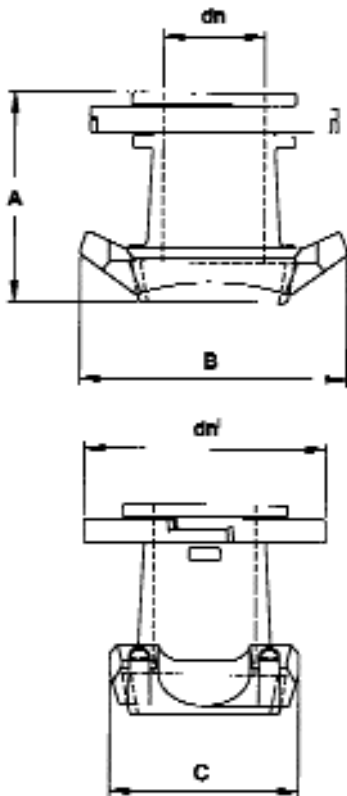
TAPPING SADDLES

FOR CAST IRON PIPELINES WITH FLANGE



CODE	CABEZAL DN	OUTLET DN	DN'	A	B	C	WEIGHT (kg)
CDINB080	150-400	DN80	200	165	220	154,5	9,2
CDINB100	250-400	DN100	220	165	220	154,5	10,5

dimensions in mm



■ Application:

Tapping saddles with flange to be used with stainless steel bands suitable in cast iron pipelines. The flange is adjustable so as to make the assembly setting easier.

■ Technical Characteristics:

- In accordance with EN 545 standard.
- Ductile iron GGG 40.
- Epoxy coating mini. 250 microns; RAL 5015.
- Gasket in EPDM material.
- Working pressure of 20 bar.
- Test pressure of 30 bar.
- Adjustable flange.

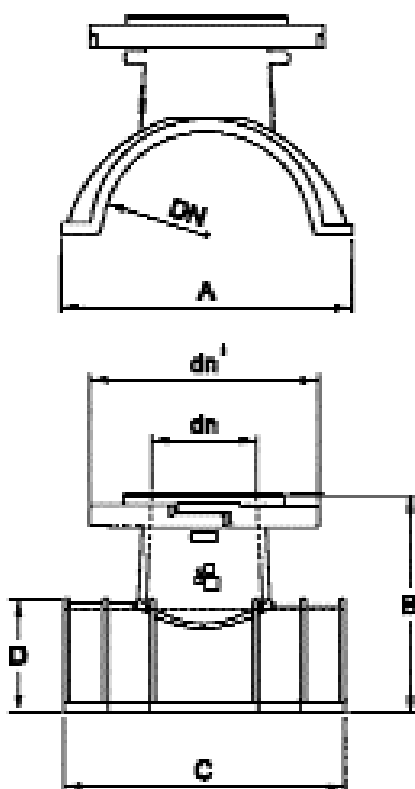
TAPPING SADDLES

FOR PVC/PE PIPELINES WITH FLANGE



CODE	DN	OUTER TUBE	dn	dn'	A	B	C	D	HEIGHT	WEIGHT (kg)
CDAB01108	100	110	80	200	184	160	235	65,5	225,5	10,7
CDAB01118	125	125	80	200	197,5	170	235	73	243	11,2
CDAB01111	125	125	100	220	197,5	170	235	73	243	12,3
CDAB01128	140	140	80	200	215	180	235	81	261	11,9
CDAB01121	140	140	100	220	215	180	235	81	261	13,0
CDAB01138	150	160	80	200	226	190	270	91	281	13,7
CDAB01131	150	160	100	220	226	190	270	91	281	14,7
CDAB01148	200	200	80	200	281	210	270	111	321	16,2
CDAB01141	200	200	100	220	281	210	270	111	321	17,3
CDAB01158	250	250	80	200	368	240	390	141	381	30,6
CDAB01151	250	250	100	220	368	240	390	141	381	31,6
CDAB01168	300	315	80	200	435	280	390	173	453	36,7
CDAB01161	300	315	100	220	435	280	390	173	453	37,7
CDAB01169	400	400	80	200	550	330	390	219,5	549,5	53,2
CDAB01171	400	400	100	220	550	330	390	219,5	549,5	54,2

dimensions in mm



■ Application:

Tapping saddles with flange suitable for PE and PVC pipeline. The flange is adjustable so as to make the assembly setting easier.

■ Technical Characteristics:

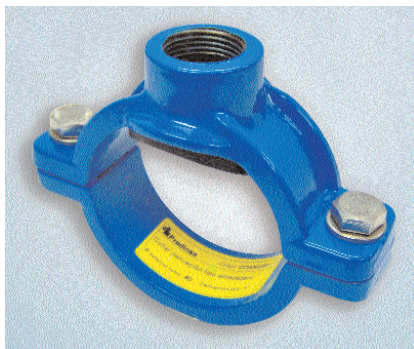
- Ductile iron GGG 40.
- Furnace seasoned epoxy coating (mini. 250 microns); RAL 5015.
- Watertight gasket made of EPDM.
- Screws of stainless steel A2 DIN 933 M10.
- Working pressure: 20 bar.
- Test pressure: 30 bar.
- Adjustable flange.





TAPPING SADDLES

TAPPING SADDLES for PVC and PE PIPES



CODE	DN	OUTSIDE Ø TUBES	SCREWED OUTLET	A	B	C	D	TOTAL HEIGHT	WEIGHT (kg.) APPR.	UNITS BOX
CDAR0050	40	50	3/4"	40	51	125	32	83	0,8	22
CDAR0051			1"	40	51	125	32	83	0,8	22
CDAR0063	50	63	3/4"	40	58	140	39	97	1	14
CDAR0064			1"	40	58	140	39	97	1	14
CDAR0066			1 1/2"	40	58	140	39	93	1	10
CDAR0075	65	75	3/4"	42	63	150	45	108	1,1	12
CDAR0076			1"	42	63	150	45	108	1,1	12
CDAR0078			1 1/2"	42	60	150	45	105	1,1	10
CDAR0079			2"	42	60	150	45	105	1,1	10
CDAR0090	80	90	3/4"	42	69	165	52	121	1,2	12
CDAR0091			1"	42	69	165	52	121	1,2	12
CDAR0093			1 1/2"	42	66	165	52	118	1,2	10
CDAR0094			2"	42	66	165	52	118	1,2	10
CDAR0110	100	125	3/4"	50	80	190	64	144	1,5	10
CDAR0111			1"	50	80	190	64	144	1,5	10
CDAR0113			1 1/2"	50	77	190	64	141	1,5	5
CDAR0114			2"	50	77	190	64	141	1,5	5
CDAR0125	125	125	3/4"	50	88	200	71	159	1,7	4
CDAR0126			1"	50	88	200	71	159	1,7	4
CDAR0128			1 1/2"	50	85	200	71	156	1,7	4
CDAR0129			2"	50	85	200	71	156	1,7	4

TAPPING SADDLES

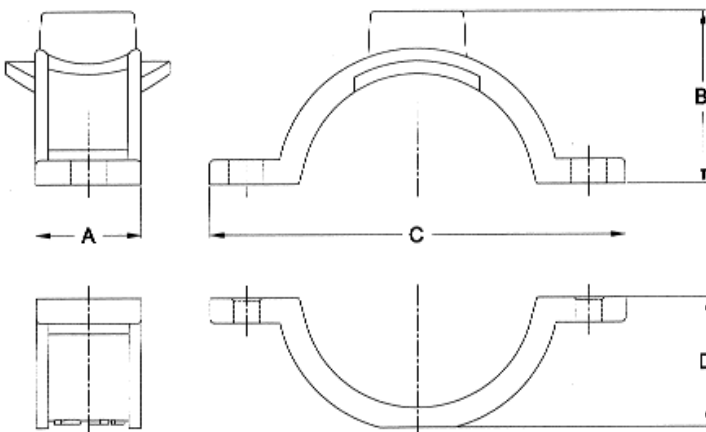
TAPPING SADDLES for PVC and PE PIPES

CODE	DN	OUTSIDE Ø TUBES	SCREWED OUTLET	A	B	C	D	TOTAL HEIGHT	WEIGHT (kg.) APPR.	UNITS BOX
CDAR0141	140	140	1"	50	95	220	79	174	2	-
CDAR0143			1 1/2"	50	92	220	79	171	2	-
CDAR0144			2"	50	92	220	79	171	2	-
CDAR0161	150	160	1"	50	105	240	90	195	2,2	-
CDAR0163			1 1/2"	50	102	240	90	192	2,2	-
CDAR0164			2"	50	102	240	90	192	2,2	-
CDAR0201	200	200	1"	50	125	295	110	235	2,8	-
CDAR0203			1 1/2"	50	122	295	110	232	2,8	-
CDAR0204			2"	50	122	295	110	232	2,8	-

dimensions in mm

■ Technical characteristics:

- Constructed of globular graphite FGE 40/12 s/norm UNE 36-118-73 concordant with ISO R 1083.
- Epoxy coating seasoned in furnace (min. 250 micras). RAL 5015
- Imperviousness gasket made of EPDM.
- Screws of stainless steel A2 DIN 933 M10.
- Screw gas.
- Working pressure 20 bars.
- Test pressure 30 bars.
- Upon request also available with metric thread.





TAPPING SADDLES

TAPPING SADDLES for PVC and PE PIPES



CODE	DN	OUTSIDE Ø TUBES	SCREWED OUTLET	A	B	C	D	TOTAL HEIGHT	WEIGHT (kg.) APPR.	UNITS BOX
CDA0050	40	50	3/4"	100	48	116	36	85	1,5	14
CDA0051			1"	100	48	116	36	85	1,5	14
CDA0052			1 1/4"	100	48	116	36	85	1,5	14
CDA0052P			M40 / 300	100	48	116	36	85	1,5	14
CDA0063	50	63	3/4"	100	56	120	41	99	1,7	12
CDA0064			1"	100	56	120	41	99	1,7	12
CDA0065			1 1/4"	100	56	120	41	99	1,7	10
CDA0065P			M40 / 300	100	56	120	41	99	1,7	10
CDA0066			1 1/2"	100	56	120	41	99	1,7	10
CDA0075	65	75	3/4"	100	63	134	48	113	2,1	9
CDA0076			1"	100	63	134	48	113	2,1	9
CDA0077			1 1/4"	100	63	134	48	113	2,1	9
CDA0077P			M40 / 300	100	63	134	48	113	2,1	9
CDA0078			1 1/2"	100	63	134	48	113	2,1	9
CDA0079			2"	100	63	134	48	113	2,1	9
CDA0079G			M55 / 300	100	63	134	48	113	2,1	9
CDA0089	80	90	3/4"	100	70	148	54	128	2,5	6
CDA0090			1"	100	70	148	54	128	2,5	6
CDA0091			1 1/4"	100	70	148	54	128	2,5	6
CDA0091P			M40 / 300	100	70	148	54	128	2,5	6
CDA0092			1 1/2"	100	70	148	54	128	2,5	6
CDA0093			2"	100	70	148	54	128	2,5	6
CDA0093G			M55 / 300	100	70	148	54	128	2,5	6
CDA0109	100	110	3/4"	110	82	174	66	152	3,2	5
CDA0110			1"	110	82	174	66	152	3,2	5
CDA0111			1 1/4"	110	82	174	66	152	3,2	5
CDA0111P			M40 / 300	110	82	174	66	152	3,2	5
CDA0112			1 1/2"	110	82	174	66	152	3,2	5
CDA0113			2"	110	82	174	66	152	3,2	5
CDA0113G			M55 / 300	110	82	174	66	152	3,2	5

TAPPING SADDLES

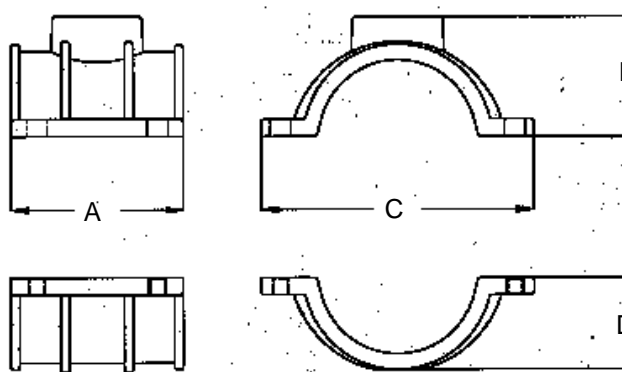
TAPPING SADDLES for PVC and PE PIPES

CODE	DN	OUTSIDE Ø TUBES	SCREWED OUTLET	A	B	C	D	TOTAL HEIGHT	WEIGHT (kg.) APPR.	UNITS BOX
CDA0124	125	125	3/4"	110	89	188	75	168	3,3	4
CDA0125			1"	110	89	188	75	168	3,3	4
CDA0126			1 1/4"	110	89	188	75	168	3,3	4
CDA0126P			M40 / 300	110	89	188	75	168	3,3	4
CDA0127			1 1/2"	110	89	188	75	168	3,3	4
CDA0128			2"	110	89	188	75	168	3,3	4
CDA0128G			M55 / 300	110	89	188	75	168	3,3	4
CDA0160	150	160	1"	125	119	226	90	213	5,5	-
CDA0161			1 1/4"	125	119	226	90	213	5,5	-
CDA0161P			M40 / 300	125	119	226	90	213	5,5	-
CDA0162			1 1/2"	125	119	226	90	213	5,5	-
CDA0163			2"	125	119	226	90	213	5,5	-
CDA0163G			M55 / 300	125	119	226	90	213	5,5	-
CDA0164			2 1/2"	125	119	226	90	213	5,5	-
CDA0165			3"	125	119	226	90	213	5,5	-
CDA0200	200	200	1"	125	138	281	113	255	6,4	-
CDA0201			1 1/4"	125	138	281	113	255	6,4	-
CDA0201P			M40 / 300	125	138	281	113	255	6,4	-
CDA0202			1 1/2"	125	138	281	113	255	6,4	-
CDA0203			2"	125	138	281	113	255	6,4	-
CDA0203G			M55 / 300	125	138	281	113	255	6,4	-
CDA0204			2 1/2"	125	138	281	113	255	6,4	-
CDA0205			3"	125	138	281	113	255	6,4	-
CDA0253	250	250	2"	180	168	358	183	304	11	-
CDA0253G			M55 / 300	180	168	358	183	304	11	-
CDA0255			3"	180	168	358	183	304	11	-
CDA0313	300	315	2"	180	195	425	165	363	15,5	-
CDA0313G			M55 / 300	180	195	425	165	363	15,5	-
CDA0315			3"	180	195	425	165	363	15,5	-

dimensions in mm

■ Technical characteristics:

- Constructed of globular graphite FGE 40/12 s/norm UNE 36-118-73 concordant with ISO R 1083.
- Epoxy coating seasoned in furnace (min. 250 micras). RAL 5015
- Imperviousness gasket made of EPDM.
- Screws of stainless steel A2 DIN 933 M10.
- Screw gas.
- Working pressure 20 bars.
- Test pressure 30 bars.
- Upon request also available with metric thread.





TAPPING SADDLES

STAINLESS STEEL BANDS series 40

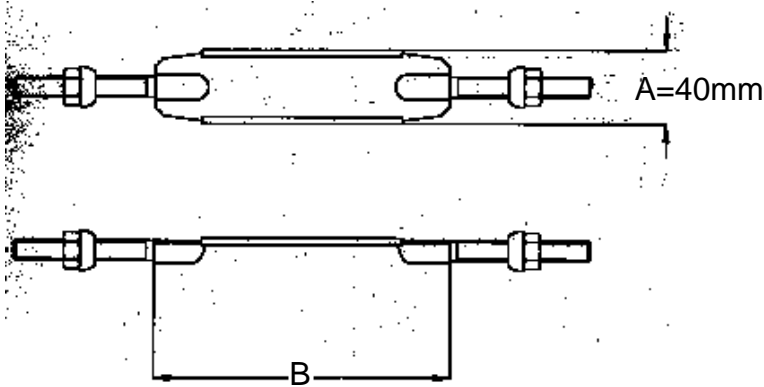


CODE	LENGTH BAND (B)	DIAMETER RANGE	HEADSTOCK			TUBES		WEIGHT (kg.)	UNITS BOX
			50-200	100-300	150-400	CEMENT WITH FIBER	CAST IRON		
CDB401	160	60 - 77	•			50 AF		0,32	10
CDB402	200	77 - 95	•			60 AF	DN 60	0,34	10
CDB403	270	98 - 119	•			119 AD	DN 80/100	0,39	10
CDB404	295	125 - 135	•	•		125 EF		0,43	10
CDB405	368	139 - 160	•	•		140 AD/156 EF	DN 125	0,47	10
CDB406	392	150 - 180	•	•		170 AD	DN 150	0,49	10
CDB407	450	170 - 195	•	•		187 EF		0,52	10
CDB408	530	200 - 230		•	•	222 AC	DN 200	0,56	10
CDB409	610	230 - 250		•	•	232 D/249 EF		0,60	10
CDB410	675	250 - 280		•	•	272 AB/280 C	DN 250	0,65	10
CDB411	770	285 - 315		•	•	287 D/311 EF		0,71	10
CDB412	860	315 - 340		•	•	326 AB/330 C/339 D	DN 300	0,77	10
CDB413	965	355 - 380		•	•	360 EF/380 AB	DN 350	0,84	10
CDB414	1060	385 - 410			•	385 C/395 D		0,90	10
CDB415	1135	410 - 435			•	420 EF/434 AB	DN 400	0,92	10

dimensions in mm

■ Technical characteristics:

- Stainless steel AISI 304. Width 40 mm. Thickness 1,25 mm. (minimum).
- Stainless studs and nuts.
- With supporting hemispheres and studs.
- Protecting gasket for tube of EPDM.
- Recommended for cast iron pipes and pipes of fibre cement.



TAPPING SADDLES

STAINLESS STEEL BANDS series 60



CODE	LENGTH BAND (B)	DIAMETER RANGE	HEADSTOCK			TUBES			WEIGHT (kg.)	UNITS BOX
			50-200	100-300	150-400	PVC/PE ØEXT.	CEMENT WITH FIBER	CAST IRON		
CDBF00	150	63-76	•			63-75	DN 50-60		0,61	10
CDBF01	175	75-104	•			75-90	DN 70 DN 60-80		0,63	10
CDBF02	250	105-133	•			100-125	DN80-100 (A/F) DN 100		0,69	10
CDBF03	350	140-170	•	•		125-160	DN125-150 (A/F) DN 100		0,76	10
CDBF04	350	170-195	•	•	•	180	DN 150 (A/F) DN 125		0,84	10
CDBF05	425	195-217			•	200	DN 175 (A/F) DN 150		0,87	10
CDBF06	500	197-217	•	•	•	200-225	DN 175 (A/F)		0,85	10
CDBF07	500	217-255	•	•	•	250	DN 200 (A/F) DN 200		0,97	10
CDBF08	700	265-324		•	•	315	DN 250 (A/F) DN 250		1,07	10
CDBF09	850	324-372		•	•		DN 300 (A/F) DN 300		1,18	10
CDBF10	1000	372-420			•		DN 350 (A/E) DN 350		1,27	10
CDBF11	1135	420-468			•		DN 350 (E/F) DN 400		1,41	10

dimensions in mm

■ Technical characteristics:

- Stainless steel AISI 304.
Width 60 mm. Thickness 1 mm.
- Stainless studs and nuts in both tips.
- Hemispheric washers of screw guide.
- Screws of stainless steel, A2 with PTFE coating.
- Gaskets with EPDM protection.

