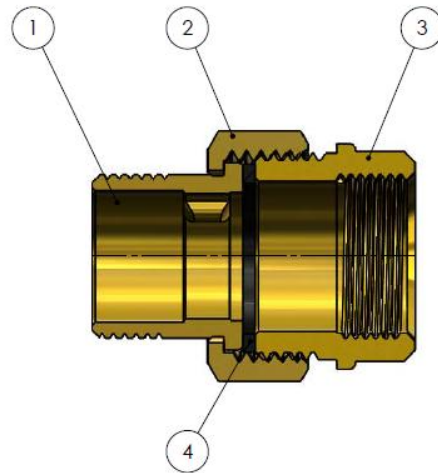


STRAIGHT THREADED FITTINGS



COMPONENTS

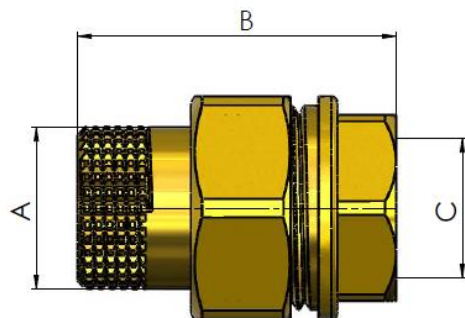
ITEM	COMPONENT	MATERIAL	SURFACE
1	Coupling	Brass CW617N	Brass
2	Nu	Brass CW617N	Brass
3	Body	Brass CW617N	Brass
4	Joint	EPDM	



DIMENSIONS

CODE	A	B	C
509001	G 1/2	44	G 1/2
509002	G 3/4	51.5	G 3/4
509003	G 1	61.5	G 1

Threads ISO 228

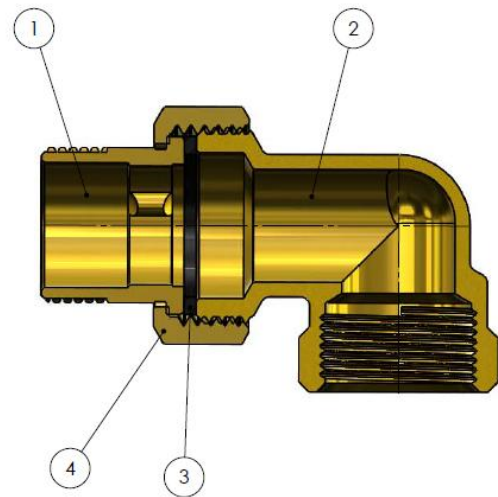


ANGLE THREADED FITTINGS



COMPONENTS

ITEM	COMPONENT	MATERIAL	SURFACE
1	Coupling	Brass CW617N	Brass
2	Body	Brass CW617N	Brass
3	Joint	EPDM	
4	Nut	Brass CW617N	Brass



DIMENSIONS

CODE	A	B	C	D
509011	G 1/2	52	24	G 1/2
509012	G 3/4	60	28	G 3/4
509013	G 1	73	35	G 1

Threads ISO 228

