

1

2

3

4

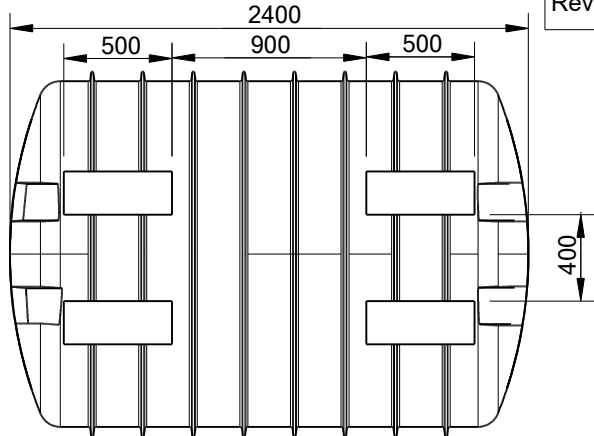
5

6

RevNo	Revision note	Date	Signature	Checked
-------	---------------	------	-----------	---------

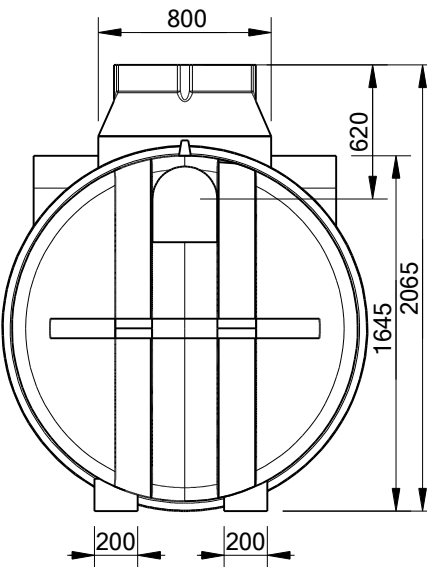
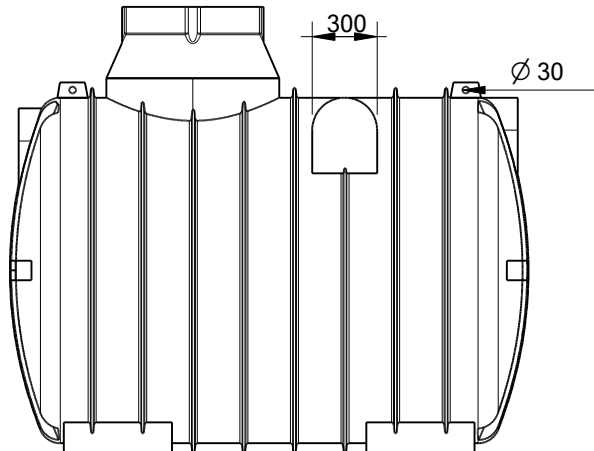
A

A



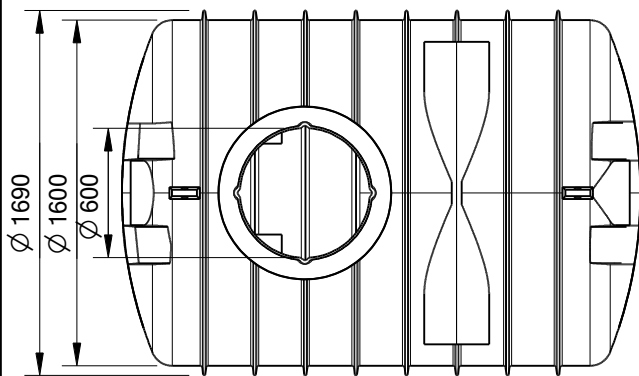
B

B



C

C



D

D

Itemref	Quantity	Title/Name, designation, material, dimension etc	180 kg	Article No./Reference
Drawn by Ing. Jan Burian	Checked by	Approved by - date	File name	Date 13.08.2018
<p>ND 5000 Polyen objem 5000 ltr.</p>			Scale 1:1	Sheet 1 OF 1
			Edition	Sheet 1 OF 1

1

2

3

4

5

6