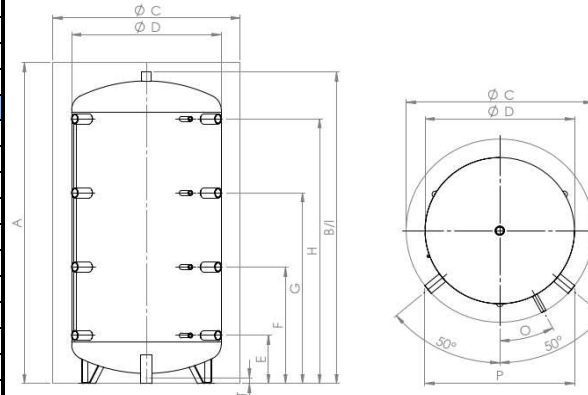


TECHNICKÉ PARAMETRE PSM 500-2000

| Akumulačné nádrže nesmaltované + izolácia 100 mm | | | | | | | |
|--|-----|-----------------------|-----------------------|-----------------------|------------------------|------------------------|------------------------|
| PARAMETRE | | | | | | | |
| Model | MJ | ENERGY PSM 500 AKU | ENERGY PSM 600 AKU | ENERGY PSM 800 AKU | ENERGY PSM 1000 AKU | ENERGY PSM 1500 AKU | ENERGY PSM 2000 AKU |
| Objednávkový kód | - | 500600 | 500613 | 500601 | 500602 | 500603 | 500604 |
| Hrúbka izolácie | mm | 100 | 100 | 100 | 100 | 100 | 100 |
| Objem | L | 480 | 560 | 718 | 887 | 1500 | 2021 |
| Energetická trieda | - | C | C | C | C | C | C |
| Tlak pre AKU | bar | 3 | 3 | 3 | 3 | 3 | 3 |
| Elektrické vykurovacie teleso | kW | 6 | 7,5 | 9 | 9 | 9 | 9 |
| Hmotnosť | kg | 74 | 80 | 92 | 106 | 165 | 198 |
| ROZMERY nádrže bez/s izoláciou | | | | | | | |
| A: Výška s izoláciou | mm | 1680 | 1700 | 1740 | 2090 | 2230 | 2420 |
| B: Výška bez izolácie | mm | 1630 | 1650 | 1690 | 2040 | 2150 | 2370 |
| C: Priemer s izoláciou | mm | 850 | 900 | 990 | 990 | 1260 | 1300 |
| D: Priemer bez izolácie | mm | 650 | 700 | 790 | 790 | 1000 | 1100 |
| PRIPÁJANIE | | | | | | | |
| E | mm | 220 | 230 | 260 | 310 | 380 | 320 |
| | G" | 1 1/2" | 1 1/2" | 1 1/2" | 1 1/2" | 2" | 2" |
| F | mm | 620 | 610 | 630 | 745 | 825 | 900 |
| | G" | 1 1/2" | 1 1/2" | 1 1/2" | 1 1/2" | 2" | 2" |
| G | mm | 1010 | 990 | 1030 | 1250 | 1350 | 1490 |
| | G" | 1 1/2" | 1 1/2" | 1 1/2" | 1 1/2" | 2" | 2" |
| H | mm | 1390 | 1380 | 1430 | 1710 | 1760 | 2020 |
| | G" | 1 1/2" | 1 1/2" | 1 1/2" | 1 1/2" | 2" | 2" |
| I | mm | 1630 | 1650 | 1690 | 2040 | 2150 | 2370 |
| | G" | 1 1/4" | 1 1/4" | 1 1/4" | 1 1/4" | 1 1/4" | 1 1/4" |
| O: Polohovací senzor | ° | 23,5 | 28 | 28 | 28 | 33 | 34,5 |

NOVINKA



Hlavná ulica 487, 018 64 Košeca , IČO: 36347710

www.qtermo.cz