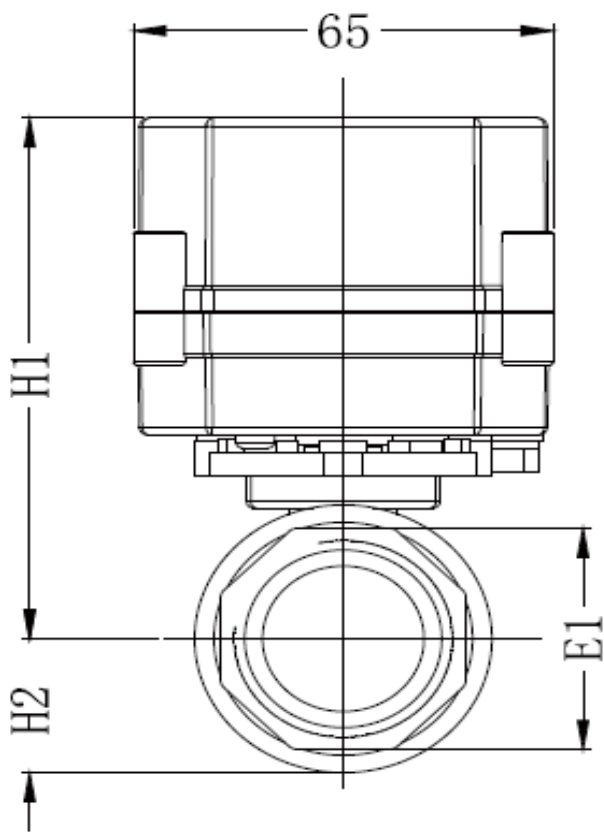


D1/D2	$d \pm 0.3$	$L1 \pm 1$	$L2 \pm 1$
1/4"	8	50	12
3/8"	10	50	12
1/2"	15	57	12
3/4"	20	65.5	15
1"	23.5	71.5	16
1 1/4"	25	80	18
1 1/4"	29	80	15



	$E1 \pm 0.5$	$H1 \pm 1$	H2
	20.5	80	12
	20.5	80	12
	25	83.5	16
	31	87/88.5	19
	38	89	22
	46	90.5	25
	46	105.5	27